

SUZUKI

PARTS CATALOGUE

SUZUKI FRONTE

LC50

SUZUKI FRONTE 500 LC50

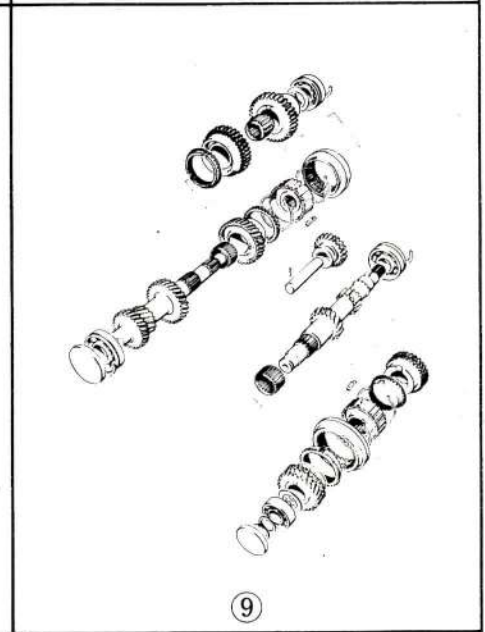
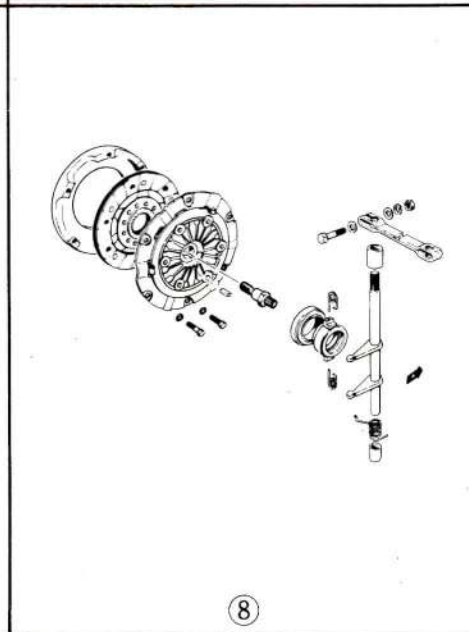
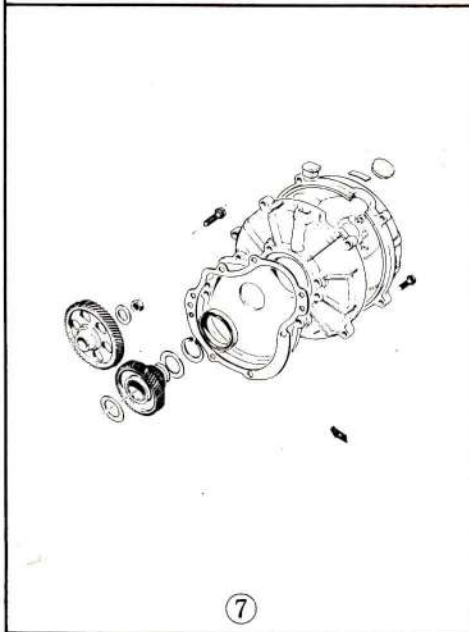
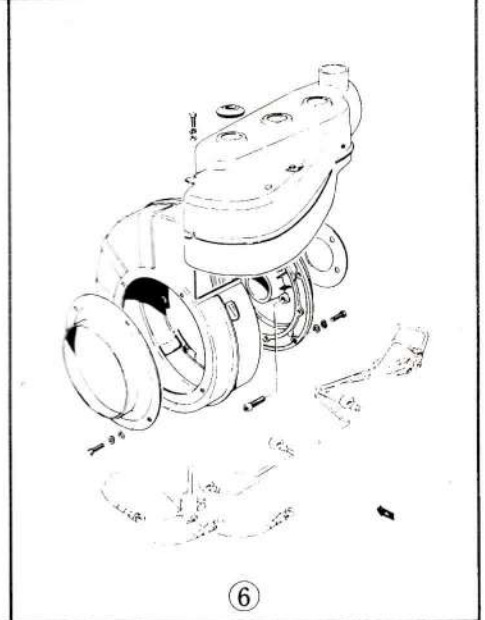
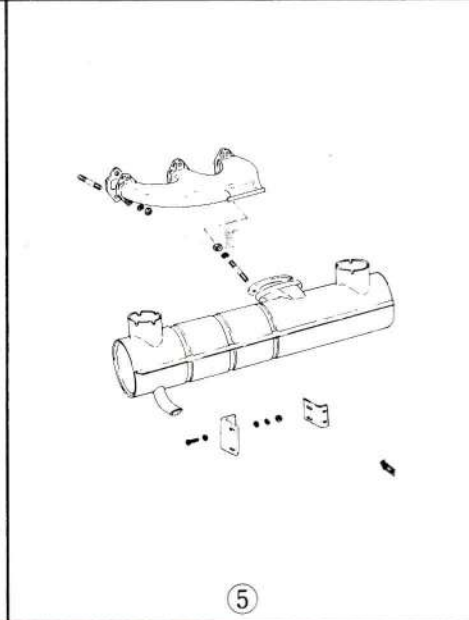
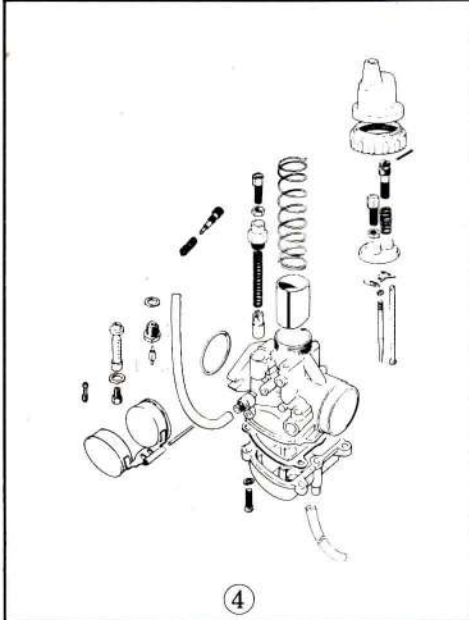
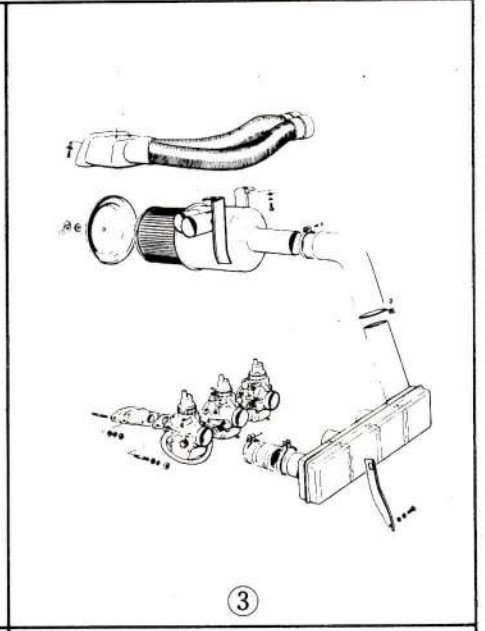
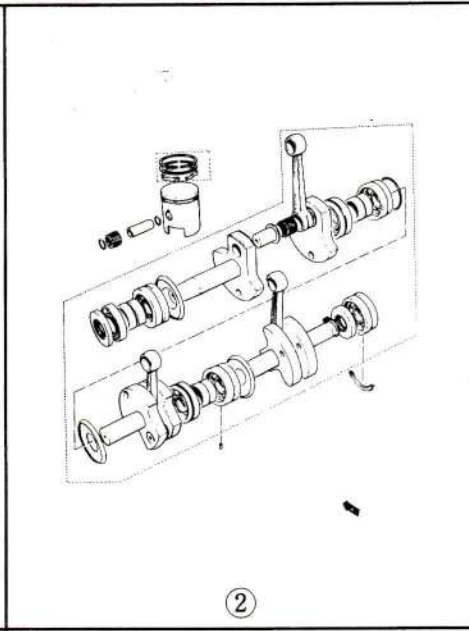
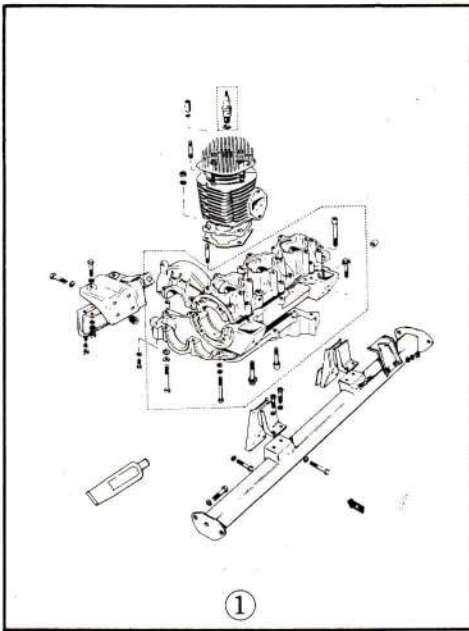
Foreword

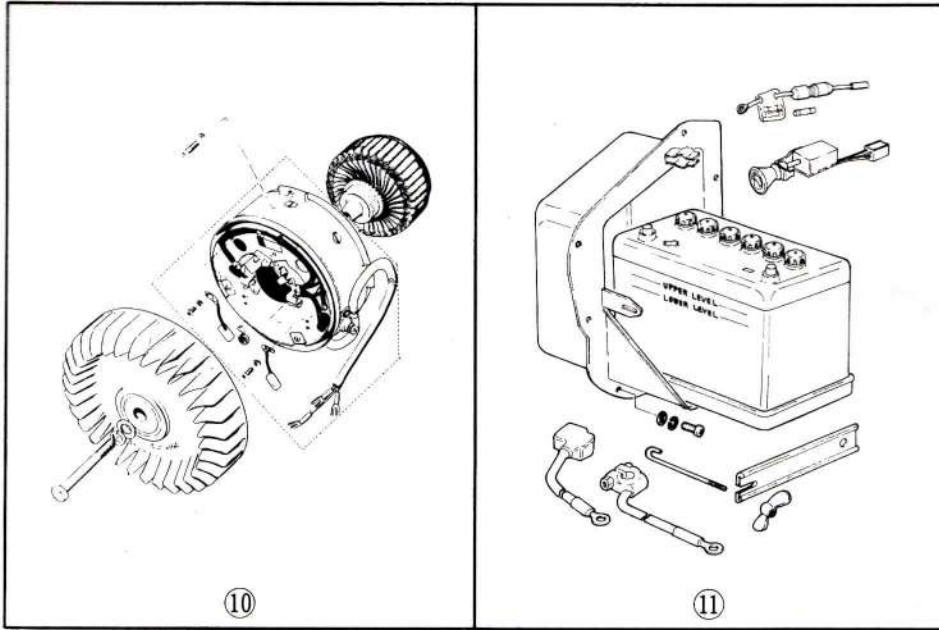
This parts catalogue contains parts used only on the Suzuki LC50.

Parts which are interchangeable with those of the Suzuki LC10 Deluxe are not included in this parts catalogue.

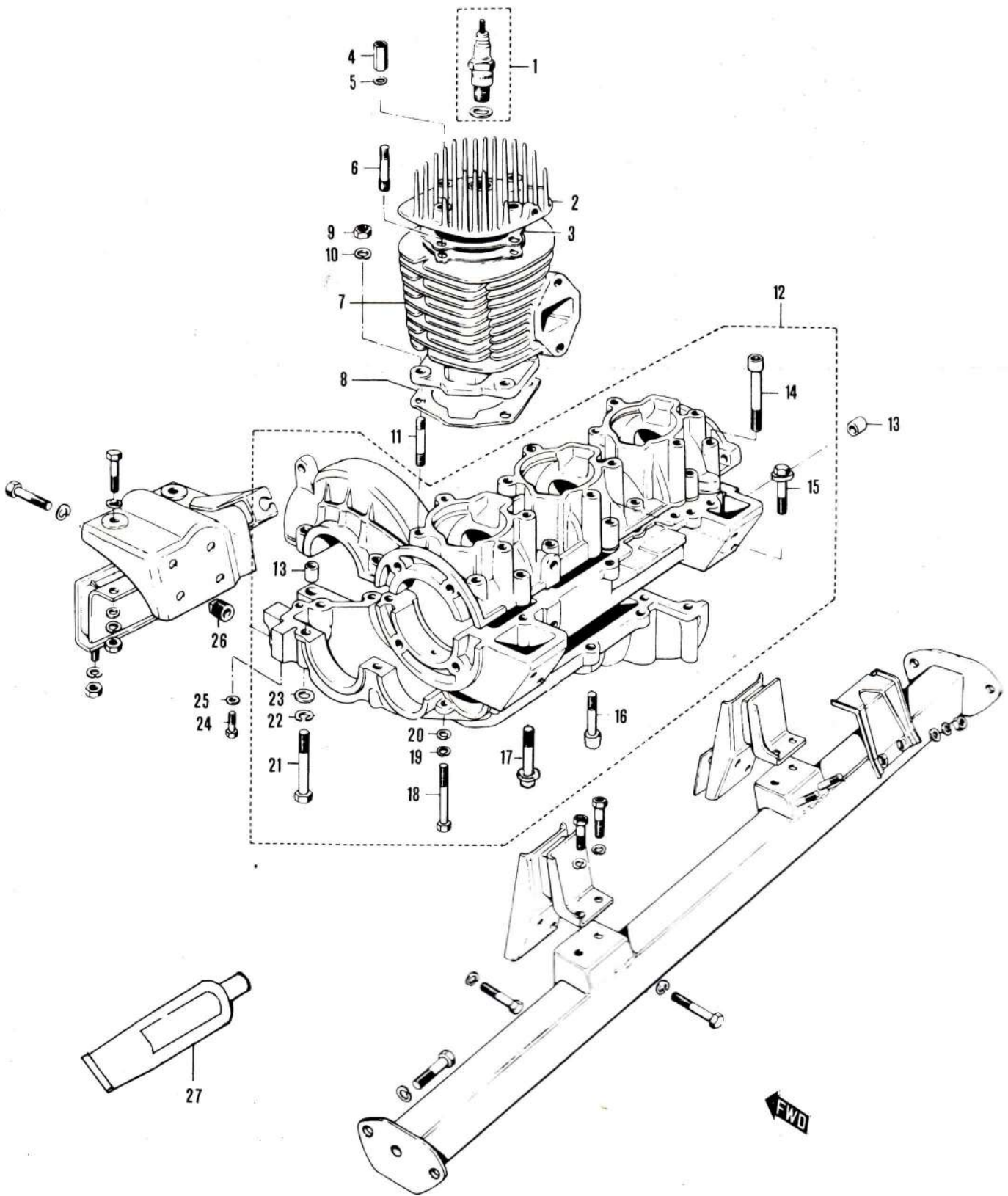
Refer to the Suzuki LC10 Deluxe parts catalogue for parts not included in this parts catalogue.

The colors for LC50 are 143, 144, 173 & 178.





Cylinder - Crankcase

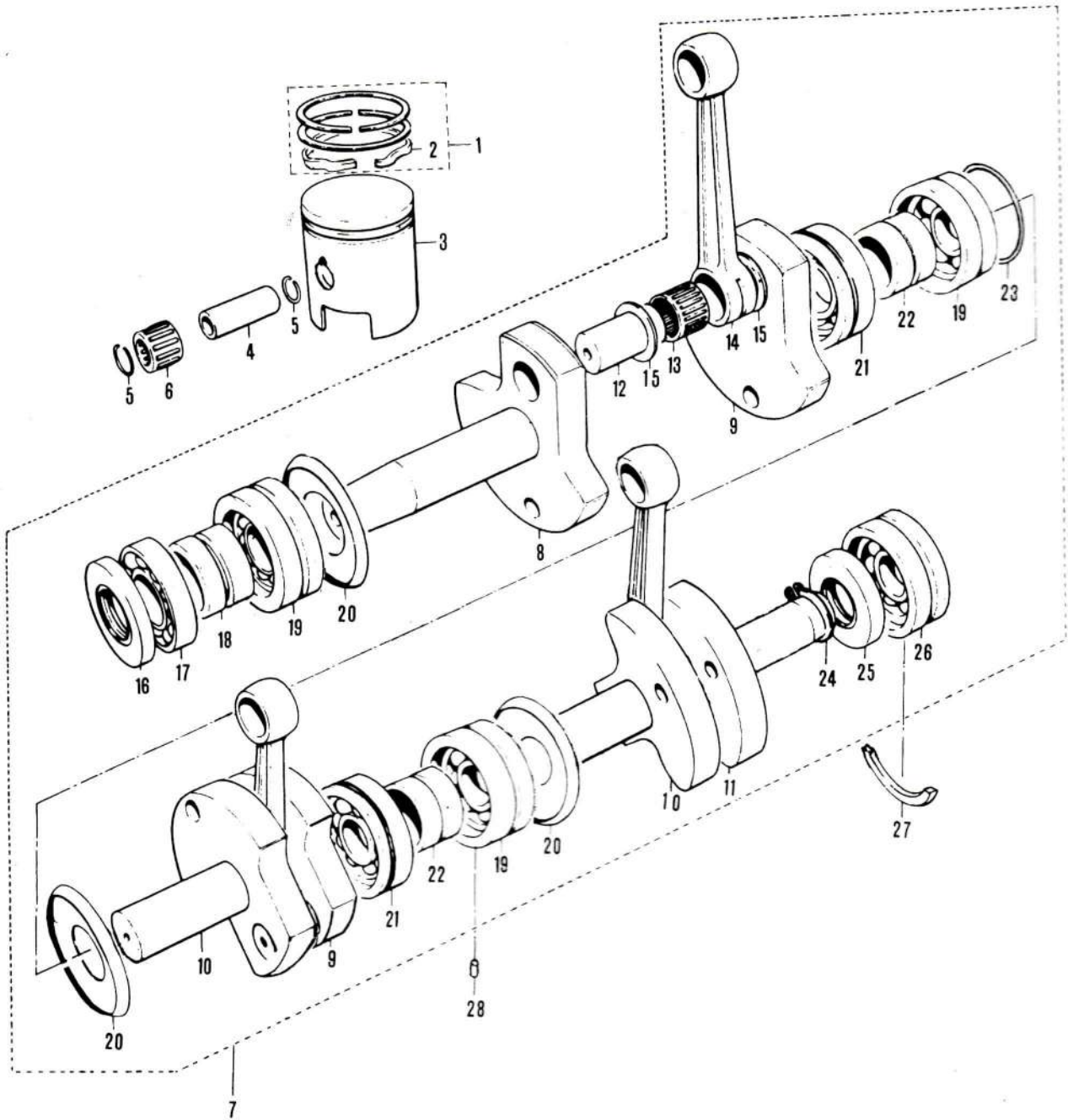


Cylinder - Crankcase

Ref.No.	Part No.	Description	Q'ty	Remarks
1-1	09482-00013	Spark Plug Ass'y	3	NGK, B-8H
1-2	09482-00002	Spark Plug Ass'y	3	NGK, B-7H, OPT
2	11131-58200	Cylinder Head	3	
3-1	11141-58200	Cylinder Head Gasket	3	STD, I.D.=60.5(23.6)
3-2	11141-58720	Cylinder Head Gasket	3	OPT, I.D.=61.5(24)
4	09159-08015	Cylinder Head Nut	12	
5	08322-21088	Washer	12	
6	09108-08027	Stud Bolt	12	8screw, L.=62(2.4)
7	11210-58201	Cylinder	3	
8	11241-58201	Cylinder Gasket	3	
9	08321-11088	Nut	12	
10	09162-08001	Spring Washer	12	I.D.=8.2(0.32), O.D.=15.4 (0.61)
11	01421-08258	Stud Bolt	12	
12	11300-58856	Crankcase Ass'y	1	
13	04211-09169	•Dowel Pin	6	
14	09106-08001	•Case Bolt	9	8screw, L.=50(1.96)
15	01512-06358	•Bolt	6	
16	09106-08002	•Case Bolt	8	8screw, L.=30(1.18)
17	01512-06458	•Bolt	1	
18	01112-06608	•Bolt	1	
19	08321-21068	•Lock Washer	1	
20	08322-21068	•Washer	1	
21	01122-10608	•Bolt	2	
22	08321-21108	•Lock Washer	2	
23	08322-11108	•Washer	2	
24	01141-08208	Bolt	1	
25	09168-08005	Oil Level Bolt Gasket	1	8.5X13X1(0.33X0.5X0.04)
26	09246-16002	Drain Plug	1	O.D.=21(0.83)
27	99000-33010	Liquid Gasket	1	

LC50

Piston - Crankshaft

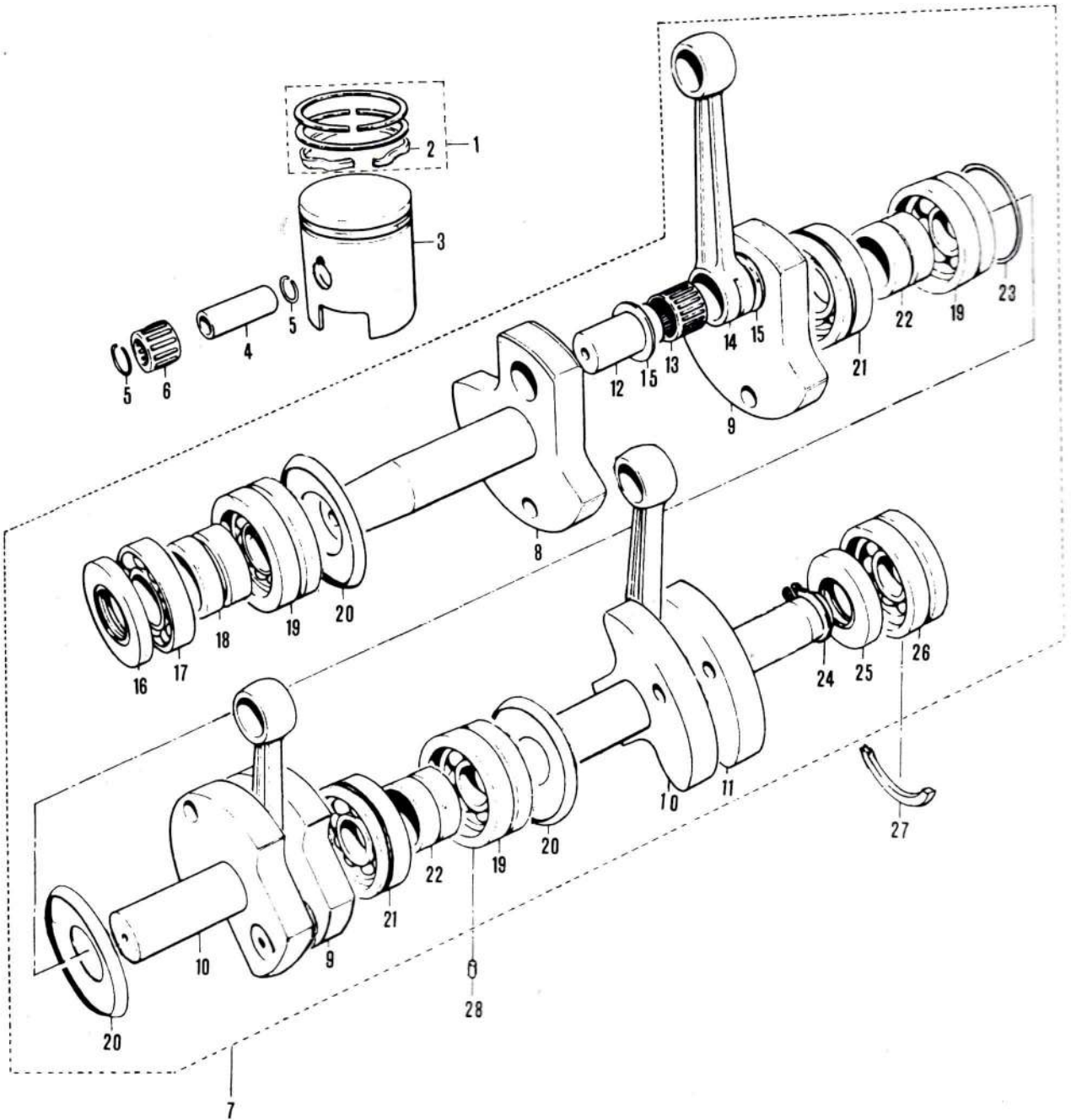


FWD

Piston - Crankshaft

Ref.No.	Part No.	Description	Q'ty	Remarks
1-1	12140-58857	Piston Ring Set	1	STD
1-2	12140-58858	Piston Ring Set	1	OPT, OS.=0.5(0.02)
1-3	12140-58859	Piston Ring Set	1	OPT, OS.=1.0(0.04)
2	12149-58211	•Expander Ring	3	
3-1	12110-58201	Piston	3	STD
3-2	12110-58780	Piston	3	OPT, OS.=0.5(0.02)
3-3	12110-58790	Piston	3	OPT, OS.=1.0(0.04)
4	12151-58200	Piston Pin	3	O.D.=14(0.55), L.=49.5(1.94)
5	09381-14001	Piston Pin Circlip	6	
6	09263-14001	Piston Pin Bearing	3	14X18X19.8(0.55X0.7X0.8)
7	12005-58807	Crankshaft Ass'y	1	
8	12251-58001	•LH Crankshaft	1	
9	12232-58000	•Crankshaft Web	2	
10	12241-58000	•Middle Crankshaft	2	
11	12221-58005	•RH Crankshaft	1	
12	12211-58000	•Crank Pin	3	20X50(0.8X2)
13	09263-20001	•Crank Pin Bearing	3	20X26X17(0.8X1X0.7)
14	12161-58000	•Connecting Rod	3	
15	09160-20016	•Thrust Washer	6	20X34X0.9(0.8X1.34X0.03)
16	09283-25013	•LH Oil Seal	1	25X47X7(1X1.9X0.3)
17	08113-60052	•Ball Bearing	1	
18	09180-25019	•LH Spacer	1	W.=27(1.06)
19	12209-58010	•Crankshaft Bearing No.1	3	W. of Groove=3.0(0.118)
20	12511-58000	•Oil Guide Plate	3	

Piston - Crankshaft

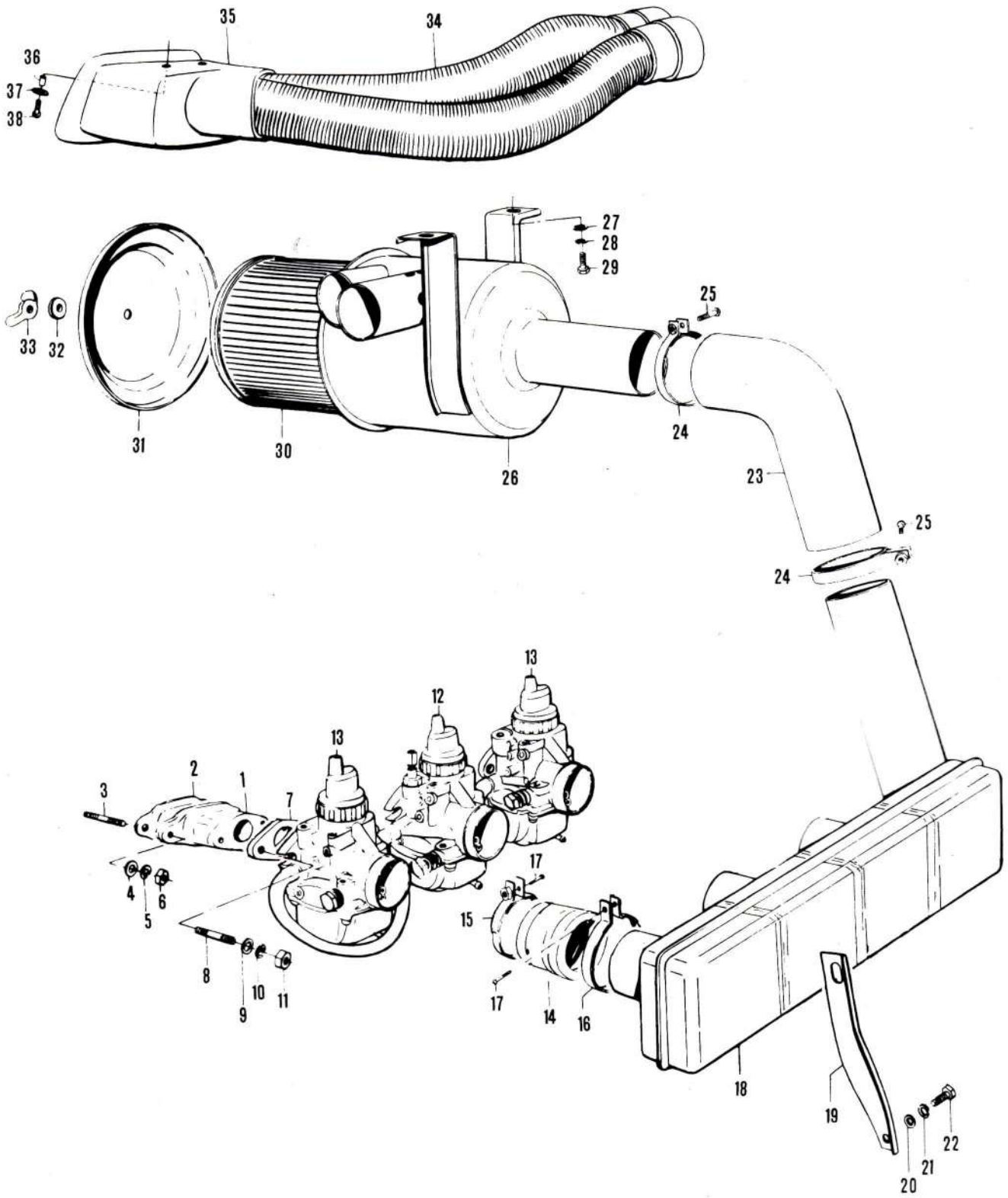


FWO

Piston - Crankshaft

Ref.No.	Part No.	Description	Q'ty	Remarks
21	12208-58010	•Crankshaft Bearing No.2	2	W. of Groove=3.2(0.126)
22	09180-25020	•Middle Spacer	2	25X34X1.68(1X1.34X0.66)
23	09280-51001	•Middle Bearing O Ring	2	I.D.=44.4(1.73), T.=2.4(0.09)
24	09380-30002	•Circlip	1	I.D.=30(1.18)
25	09289-35002	•RH Oil Seal	1	O.D.=62(2.44), W.=8.7(0.34)
26	09262-30009	•RH Bearing	1	I.D.=30(1.18), W.=16(0.62)
27	09390-62002	RH Bearing Ring	1	tongued
28	09261-04006	Dowel Pin	6	4X10(0.16X0.4)

Air Inlet

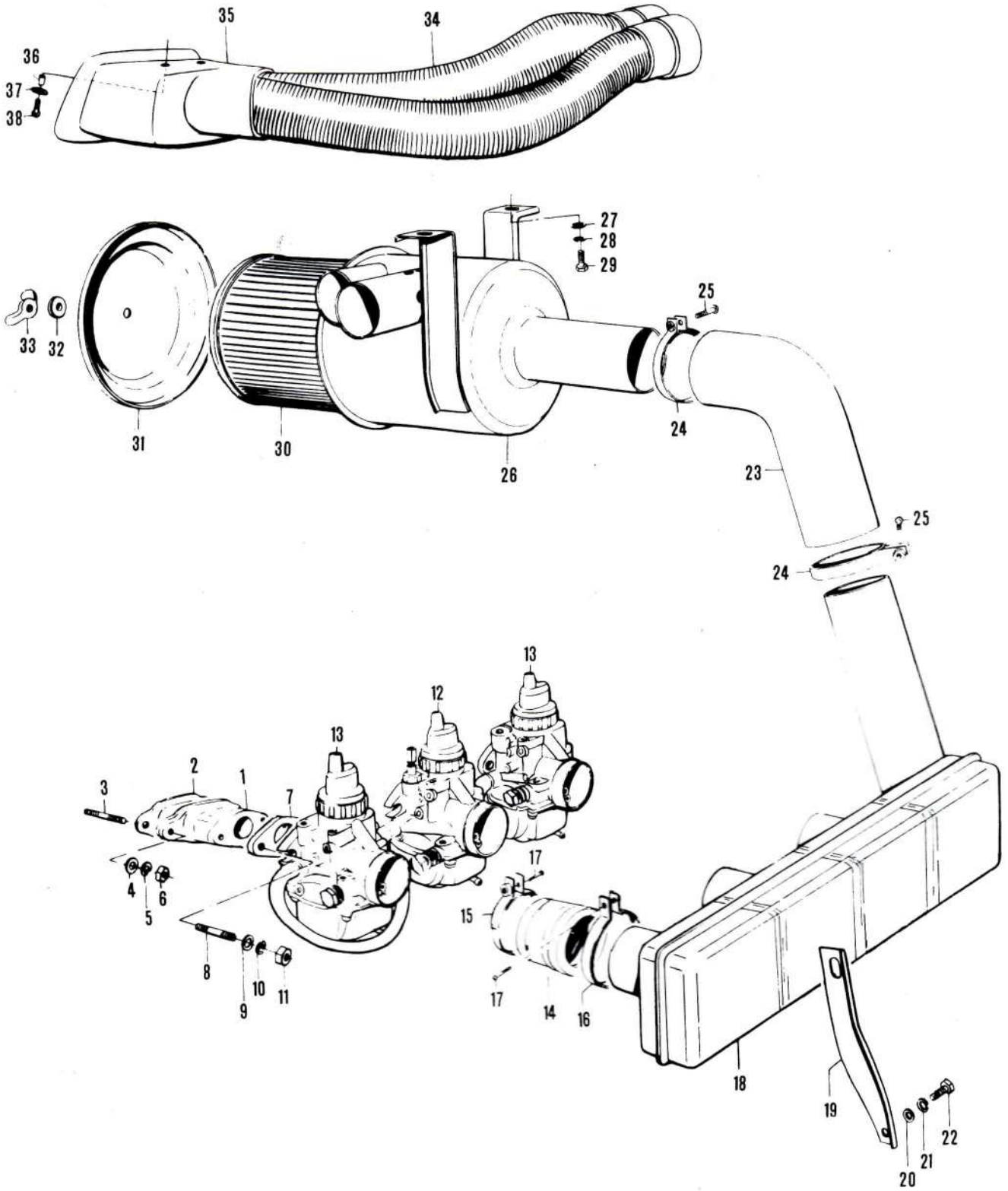


LC50

Air Inlet

Ref.No.	Part No.	Description	Q'ty	Remarks
1	13111-58000	Intake Pipe	3	I.D.=22(0.86)
2	13121-58000	Intake Pipe Gasket	3	
3	09108-06002	Stud Bolt	6	6screw, L.=36(1.47)
4	08322-21068	Washer	6	
5	08321-21068	Lock Washer	6	
6	08311-11068	Nut	6	
7	13120-58020	Carburetor Insulator	3	I.D.=22.5(0.87)
8	09108-06002	Stud Bolt	6	6screw, L.=36(1.47)
9	08322-21068	Washer	6	
10	08321-21068	Lock Washer	6	
11	08311-11068	Nut	6	
12	13201-58600	Carburetor Ass'y No.1	1	
13	13202-58600	Carburetor Ass'y No.2	2	
14	13881-58000	Air Inlet Hose	3	I.D.=33/40(1.29)/(1.57)
15	09402-00107	Air Inlet Hose Clamp No.1	3	I.D.=43(1.69), W.=5(0.20)
16	09402-00115	Air Inlet Hose Clamp No.2	3	I.D.=50(1.96), W.=7(0.22)
17	02111-04208	Screw	6	
18	13870-58460	Air Inlet Case	1	
19	13878-11088	Air Inlet Case Bracket	1	
20	08322-11088	Washer	4	
21	08321-21088	Lock Washer	4	
22	01141-08168	Bolt	2	
23	13885-58010	Outlet Hose	1	
24	09402-00164	Clamp	2	
25	02111-05258	Screw	2	

Air Inlet

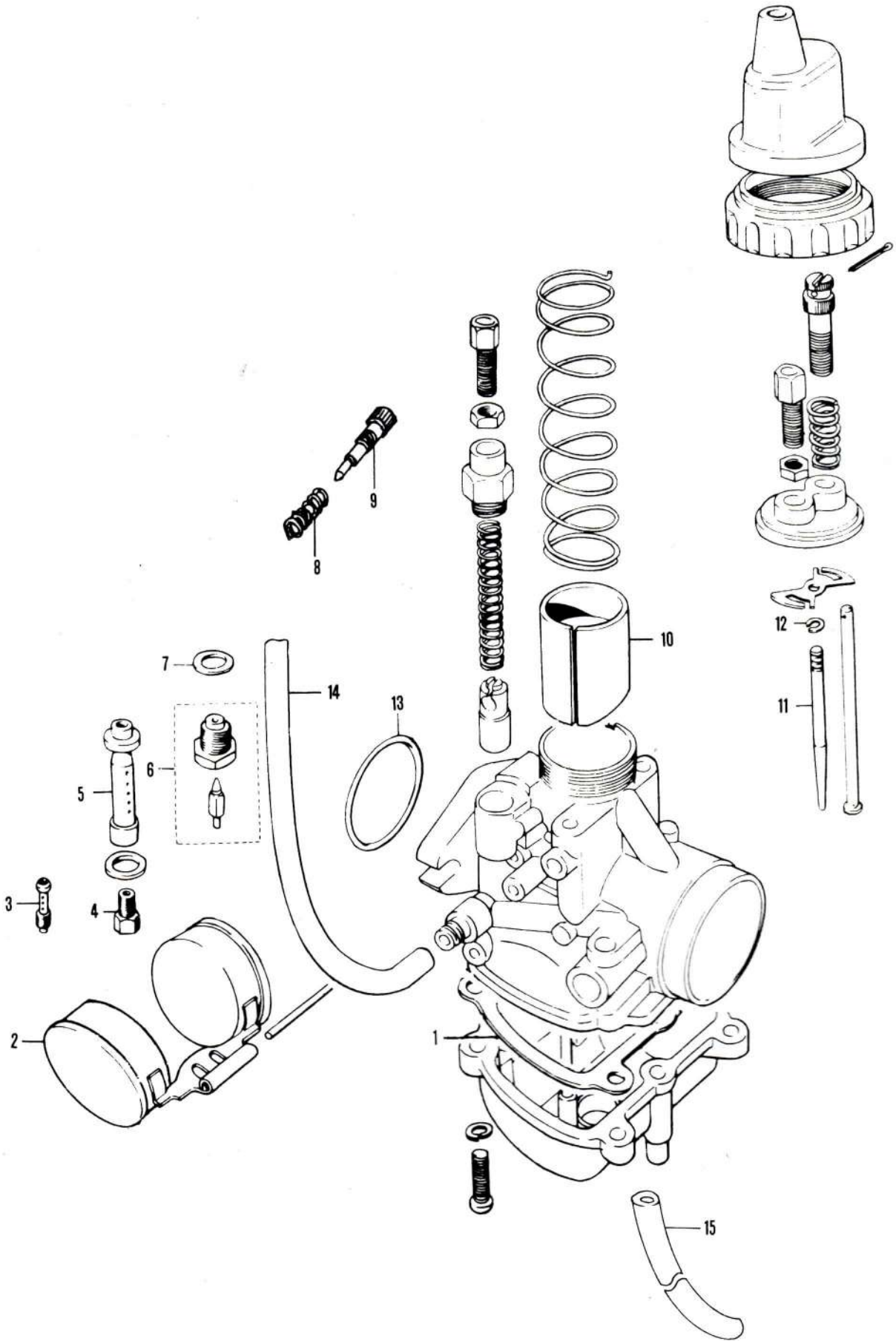


LC50

Air Inlet

Ref.No.	Part No.	Description	Q'ty	Remarks
26	13710-58062	Air Cleaner Case	1	W.=210(8.26)
27	08322-11088	Washer	2	
28	08321-21088	Lock Washer	2	
29	01141-08128	Bolt	2	
30	13780-58071	Air Cleaner Element	1	W.=230(9.05)
31	13770-58061	Air Cleaner Cap	1	
32	13775-58060	Cap Washer	1	
33	08317-11068	Wing Nut	1	
34	13860-58060	Air Suction Case Hose	2	
35	13851-58030	Air Suction Case	1	
36	09180-06001	Spacer	2	6X8X6(0.24X0.32X0.24)
37	09160-06016	Washer	2	6X16X1.2(0.24X0.6X0.05)
38	02111-06208	Screw	2	

Carburetor

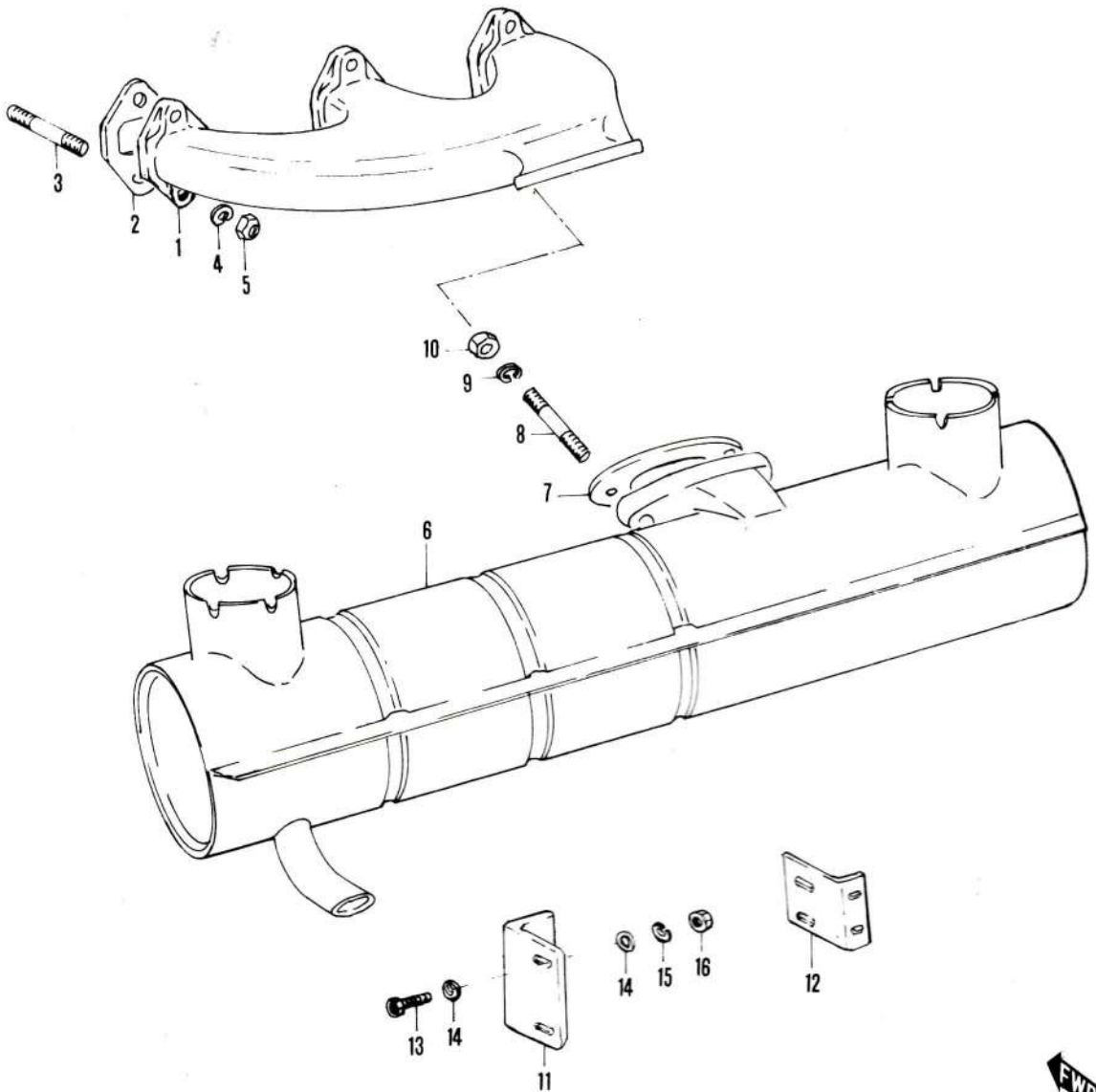


LC50

Carburetor

Ref.No.	Part No.	Description	Q'ty	Remarks
1	13251-58010	Float Chamber Gasket	3	
2	13252-09210	Float	3	
3	09492-22002	Pilot Jet	3	#22.5
4-1	09491-20002	Main Jet	3	#100
4-2	09491-22003	Main Jet	3	#110 OPT
5	09494-00062	Needle Jet	3	
6	13370-58600	Needle Valve Ass'y	3	
7	13392-58600	Needle Valve Seat Gasket	3	
8	13268-03110	Spring	3	I.D.=6(0.23)
9	13269-58011	Air Adjusting Screw	3	
10	13551-58600	Throttle Valve	3	C.A.=2.5
11	13383-58600	Jet Needle	3	
12	13394-03010	Needle Clip	3	
13	13295-09210	Insulator O Ring	3	I.D.=22.5(0.86)
14	13427-58010	Fuel Pipe	2	
15	13259-58010	Overflow Pipe	3	

Exhaust

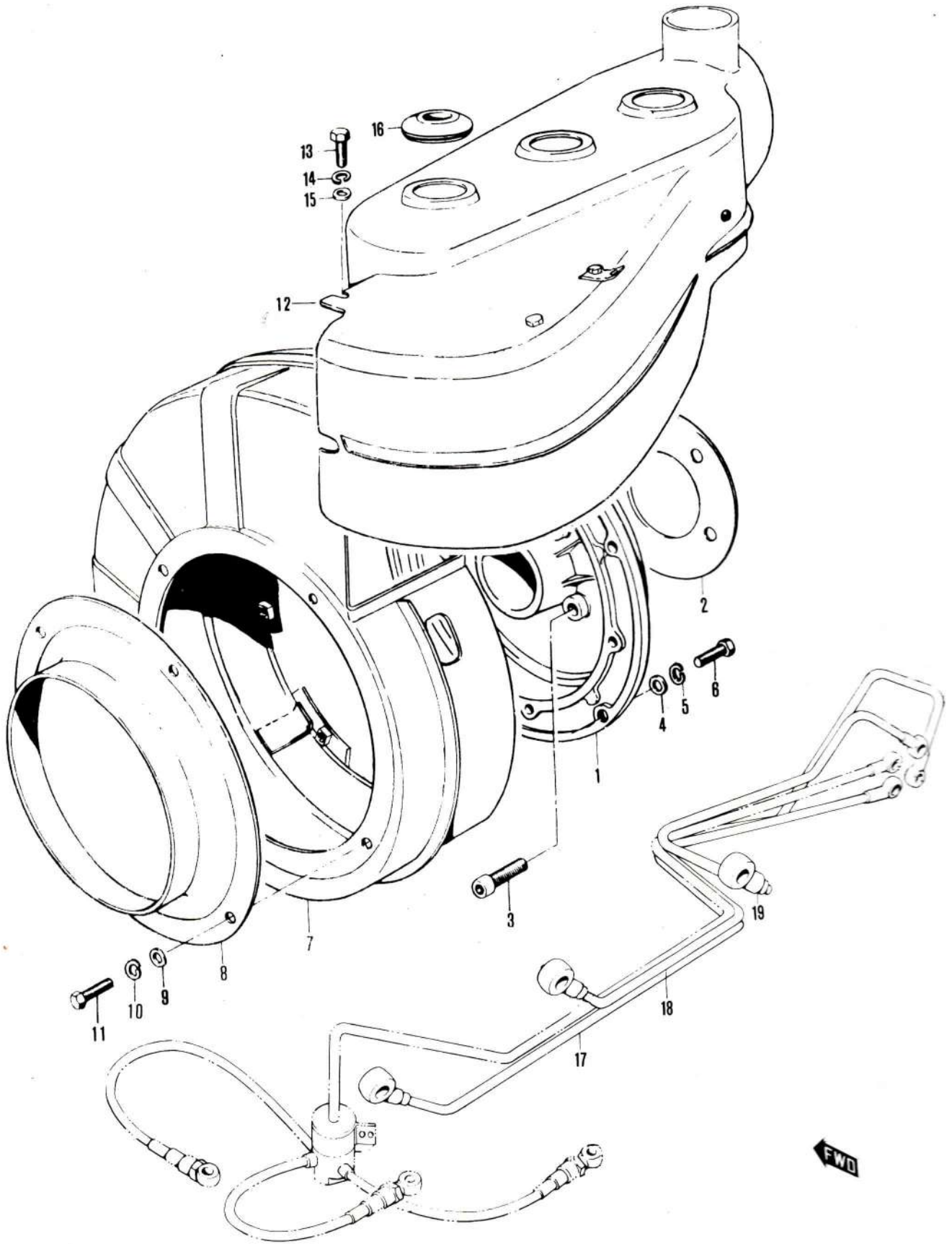


LC50

Exhaust

Ref.No.	Part No.	Description	Q'ty	Remarks
1	14111-58710	Exhaust Manifold	1	
2	14141-58401	Exhaust Manifold Gasket	3	
3	09108-08022	Stud Bolt	6	8screw, L.=51(2.01)
4	08321-21088	Lock Washer	6	
5	08312-11088	Nut	6	
6	14300-58242	Muffler Comp.	1	
7	14181-58400	Exhaust Pipe Gasket	1	
8	01411-10208	Stud Bolt	2	
9	08321-21108	Lock Washer	2	
10	08312-11108	Nut	2	
11	14411-58401	Muffler Bracket No.1	1	
12	14421-58700	Muffler Bracket No.2	1	
13	01141-08208	Bolt	8	
14	08322-21088	Washer	12	
15	08321-21088	Lock Washer	8	
16	08312-11088	Nut	8	

Fan Cover

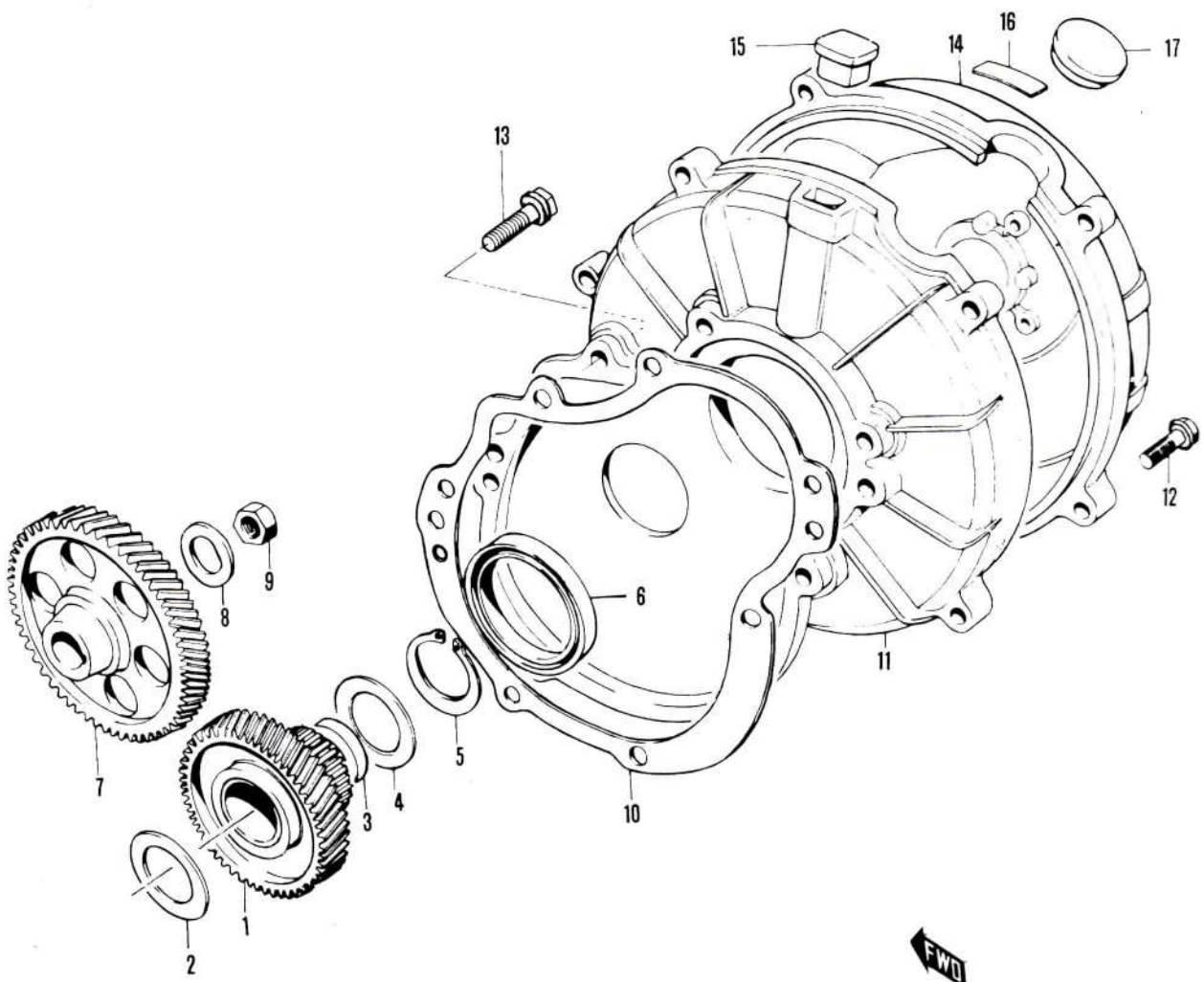


LC50

Fan Cover

Ref.No.	Part No.	Description	Q'ty	Remarks
1	11351-58001	Generator Housing	1	
2	11356-58000	Generator Housing Gasket	1	
3	09106-08002	Generator Housing Bolt	4	8screw, L.=30(1.18)
4	08322-21068	Washer	5	
5	08321-21068	Lock Washer	5	
6	01131-06168	Bolt	5	
7	17210-58200	Fan Case Comp.		
8	17221-58200	Fan Case Cover	1	
9	08322-21068	Washer	4	
10	08321-21068	Lock Washer	4	
11	01131-06108	Bolt	4	
12	17260-58404	Ventilator Cowling Comp.	1	
13	01131-06168	Bolt	7	
14	08321-21068	Lock Washer	7	
15	09160-06019	Washer	7	6.5X16X1.2(0.25X0.6X0.05)
16	33543-51030	Spark Pulg Cap Boot	3	
17	16820-58230	1st Cylinder Oil Pipe	1	
18	16830-58230	2nd Cylinder Oil Pipe	1	
19	16840-58230	3rd Cylinder Oil Pipe	1	

Primary Gear - Gear Housing

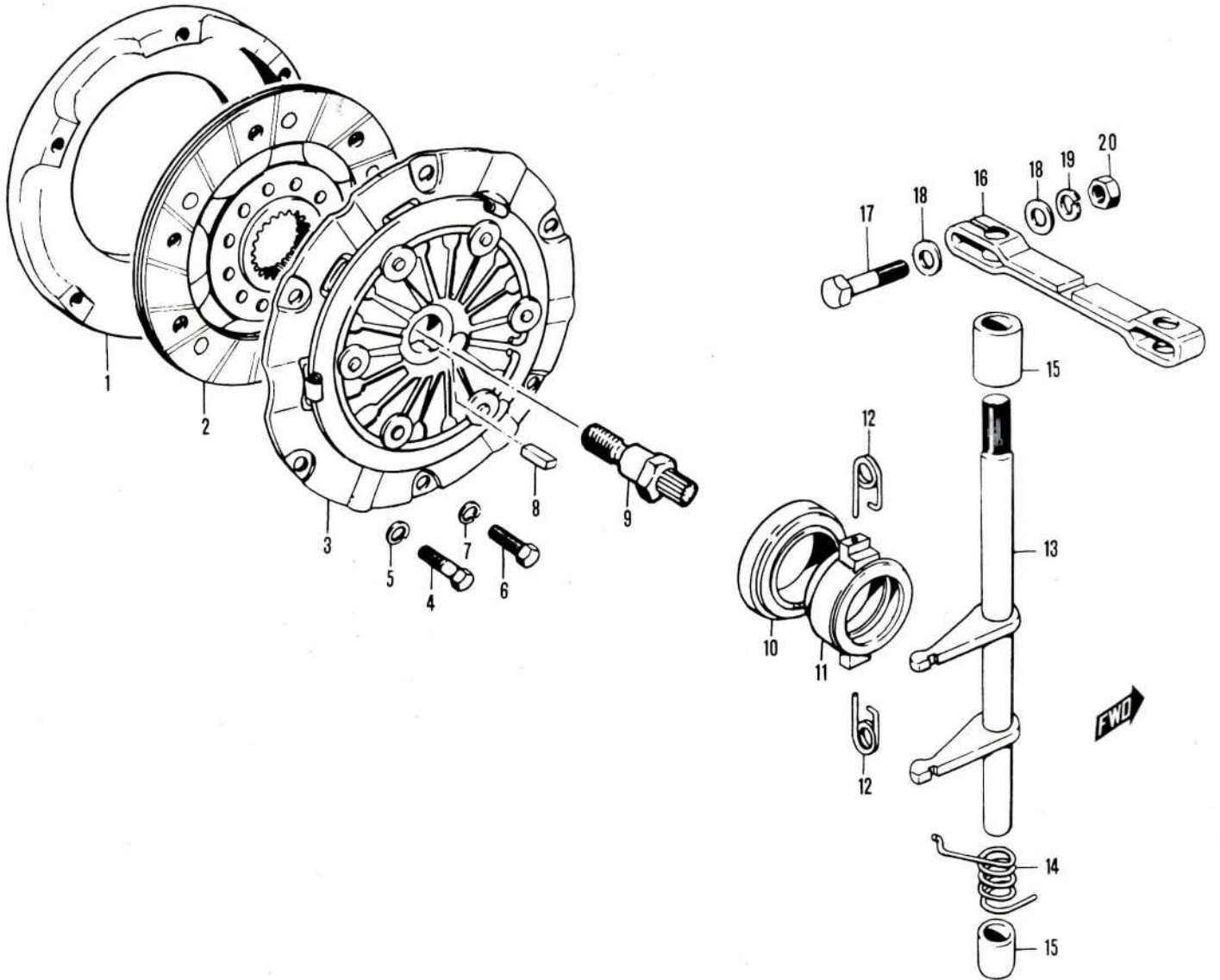


LC50

Primary Gear - Gear Housing

Ref. No.	Part No.	Description	Q'ty	Remarks
1	21110-58200	Primary Drive Gear Comp.	1	N.T.=35
2	09166-30001	Drive Gear Inner Washer	1	I.D.=30(1.18)
3	09282-27001	Oil Seal	1	
4-1	09166-27001	Drive Gear Washer No.1	} 1pc ARQ	27X36X1(1.1X1.4X0.03)
4-2	09166-27002	Drive Gear Washer No.2		27X36X1.2(1.1X1.4X0.04) Brown
4-3	09166-27003	Drive Gear Washer No.3		27X36X1.4(1.1X1.4X0.05) Blue
4-4	09166-27004	Drive Gear Washer No.4		27X36X1.6(1.1X1.4X0.06)
5	08331-11269	Circlip	1	
6	09283-44001	Oil Seal	1	44X60X8(1.7X2.4X0.3)
7	21211-58201	Primary Driven Gear	1	N.T.=46
8	09166-16005	Driven Gear Washer	1	
9	09140-16003	Nut	1	
10	21331-58002	Housing Gasket	1	
11	21311-58003	Primary Gear Housing	1	
12	09103-08003	Bolt	13	
13	01511-08508	Bolt	1	
14	21341-58004	Clutch Housing	1	
15	24841-58000	Plug	1	
16	11951-58610	Timing Emblem	1	18°
17	09250-26001	Timing Inspection Plug	1	

Clutch

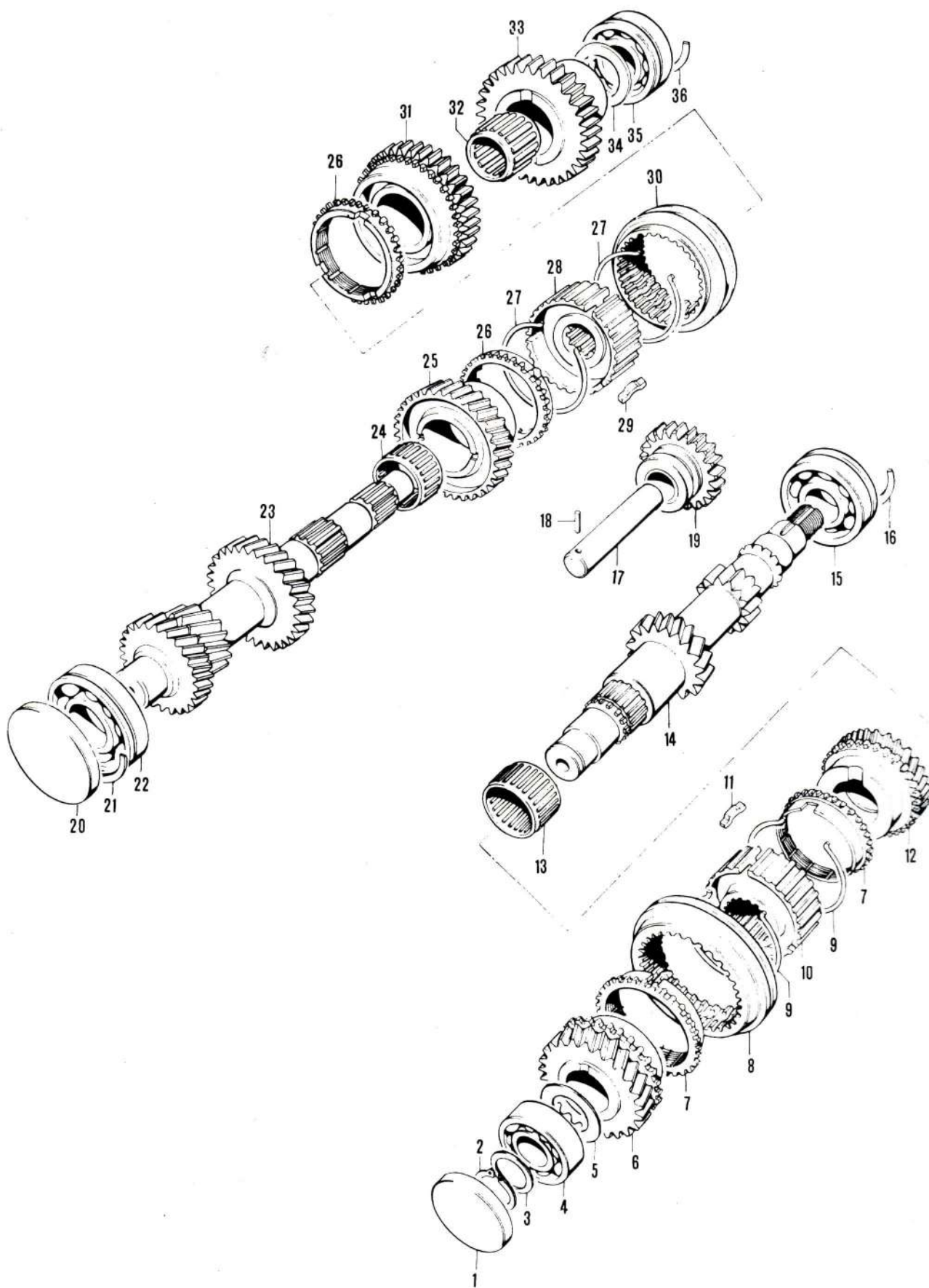


LC50

Clutch

Ref. No.	Part No.	Description	Q'ty	Remarks
1	12621-58020	Fly Wheel	1	ASCO mark
2	22400-58420	Clutch Desk Comp.	1	ASCO mark
3	22100-58021	Clutch Cover Ass'y	1	ASCO mark
4	22231-58020	Clutch Reamer Bolt	2	6screw, L.=20(0.78)
5	22234-58010	Lock Washer	2	
6	01112-06168	Bolt	4	
7	08321-21068	Lock Washer	4	
8	09421-05002	Clutch Cover Center Key	1	
9	22511-58002	Clutch Cover Center Bolt	1	L.=80(3.1)
10	09269-35003	Clutch Release Bearing	1	35X56.6X14(1.4X2.2X0.55)
11	23161-58000	Clutch Bearing Support	1	
12	09448-12002	Clutch Bearing Support Spring	2	
13	23260-58000	Clutch Release Shaft Comp.	1	
14	09448-19001	Clutch Shaft Return Spring	1	
15	09300-12004	Clutch Release Shaft Bushing	2	12X20X20(0.47X0.8X0.8)
16	23266-58000	Clutch Release Arm	1	
17	01121-08358	Bolt	1	
18	08322-11088	Washer	2	
19	08321-21088	Lock Washer	1	
20	08312-11088	Nut	1	

Transmission



LC50

Transmission

Ref.No.	Part No.	Description	Q'ty	Remarks
1	09241-40001	Bearing Plug	1	O.D.=40(1.58), W.=8(0.31)
2	09380-17004	Circlip	1	
3	08211-17241	Thrust Washer	1	
4	08113-62033	Ball Bearing	1	
5	08211-17322	Thrust Washer	1	
6	24240-58000	Main Shaft Top Gear	1	N.T.=25
7	24432-58040	Synchronizer Ring	2	⊕ mark
8	24421-60000	High Speed Synchronizer Sleeve	1	
9	09388-00007	Synchronizer Spring	2	O.D.=58(2.28), T.=1.4(0.06)
10	24412-58001	High Speed Synchronizer Hub	1	
11	09422-05003	Synchronizer Key	3	
12	24231-58400	Main Shaft Third Gear	1	N.T.=21, S mark
13	09263-25003	Main Shaft Third Gear Bearing	1	25X29X19.8(0.98X1.14X0.77)
14	24121-58401	Main Shaft	1	N.T.=11/16
15	08163-63032	Ball Bearing	1	
16	09390-47002	Bearing Ring	1	
17	24551-58001	Reverse Gear Shaft	1	
18	09202-05008	Reverse Gear Shaft Pin	1	O.D.=5(0.19), L.=18(0.70)
19	24560-58400	Reverse Gear Comp.	1	N.T.=20
20	09241-52001	Bearing Plug	1	O.D.=52(2.05), W.=8(0.31)
21	09390-52002	Bearing Ring	1	
22	08163-63042	Ball Bearing	1	
23	24131-58002	Counter Shaft	1	N.T.=22/13/26

Transmission

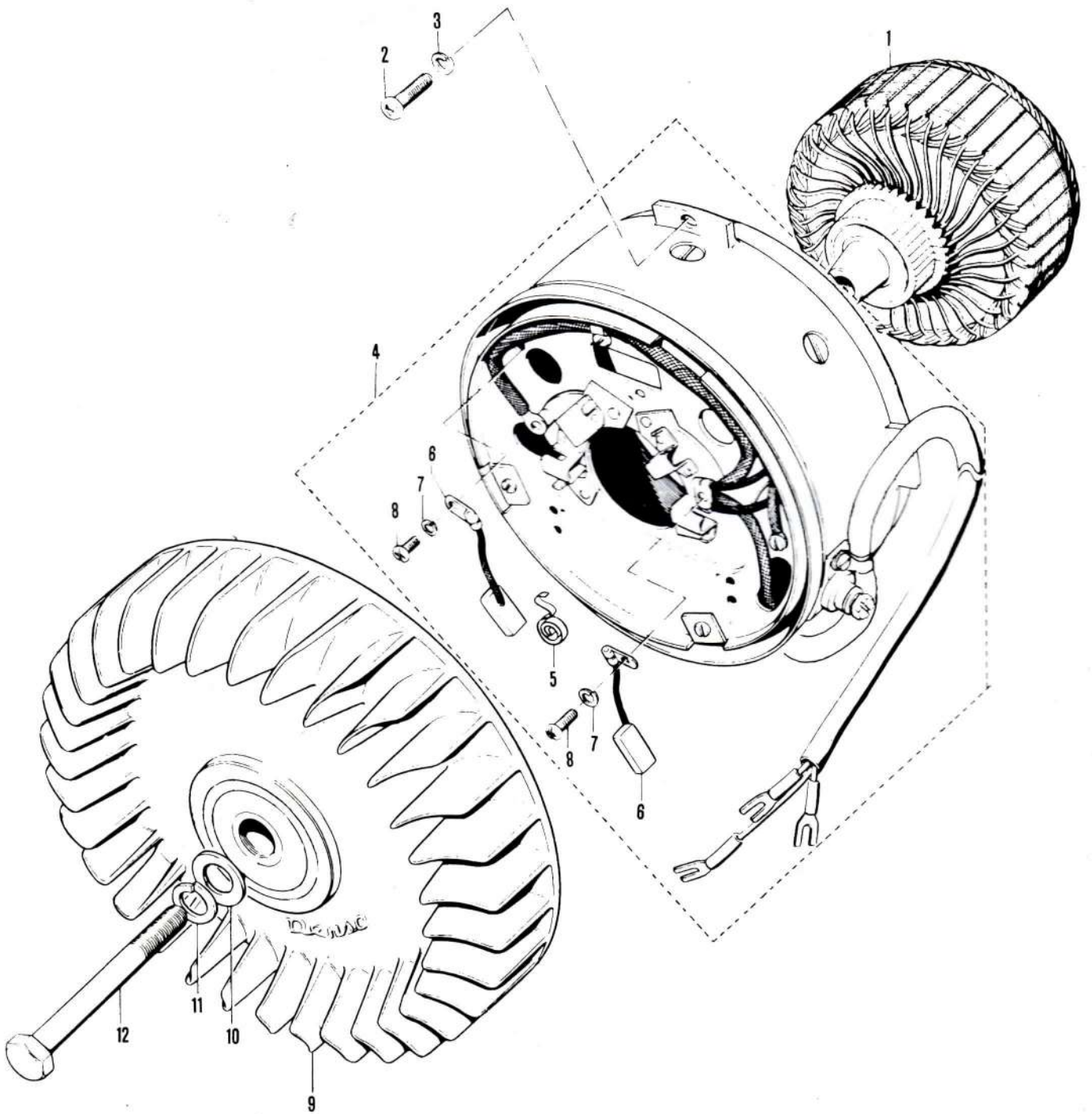


LC50

Transmission

Ref.No.	Part No.	Description	Q'ty	Remarks
24	09263-25003	Bearing	1	25X29X19.8(1X1.14X0.8)
25	24321-58400	Counter Shaft Second Gear	1	N.T.=30/30
26	24431-58404	Synchronizer Ring	2	
27	09388-00006	Synchronizer Spring	2	O.D.=65(0.26), T.=1.4(0.06)
28	24411-58400	Low Speed Synchronizer Hub	1	
29	09422-05004	Synchronizer Key	3	L.=22(0.83)
30	24421-58400	Low Speed Synchronizer Sleeve	1	
31	24311-58400	Counter Shaft Low Gear	1	N.T.=35, W.=29.5(1.18)
32	09263-21003	Bearing	1	21X25X20(0.83X1X0.8)
33	24371-58400	Counter Shaft Reverse Gear	1	
34	08163-63032	Ball Bearing	1	
35	08211-17322	Thrust Washer	1	
36	09390-47002	Bearing Ring	1	

Starter Generator

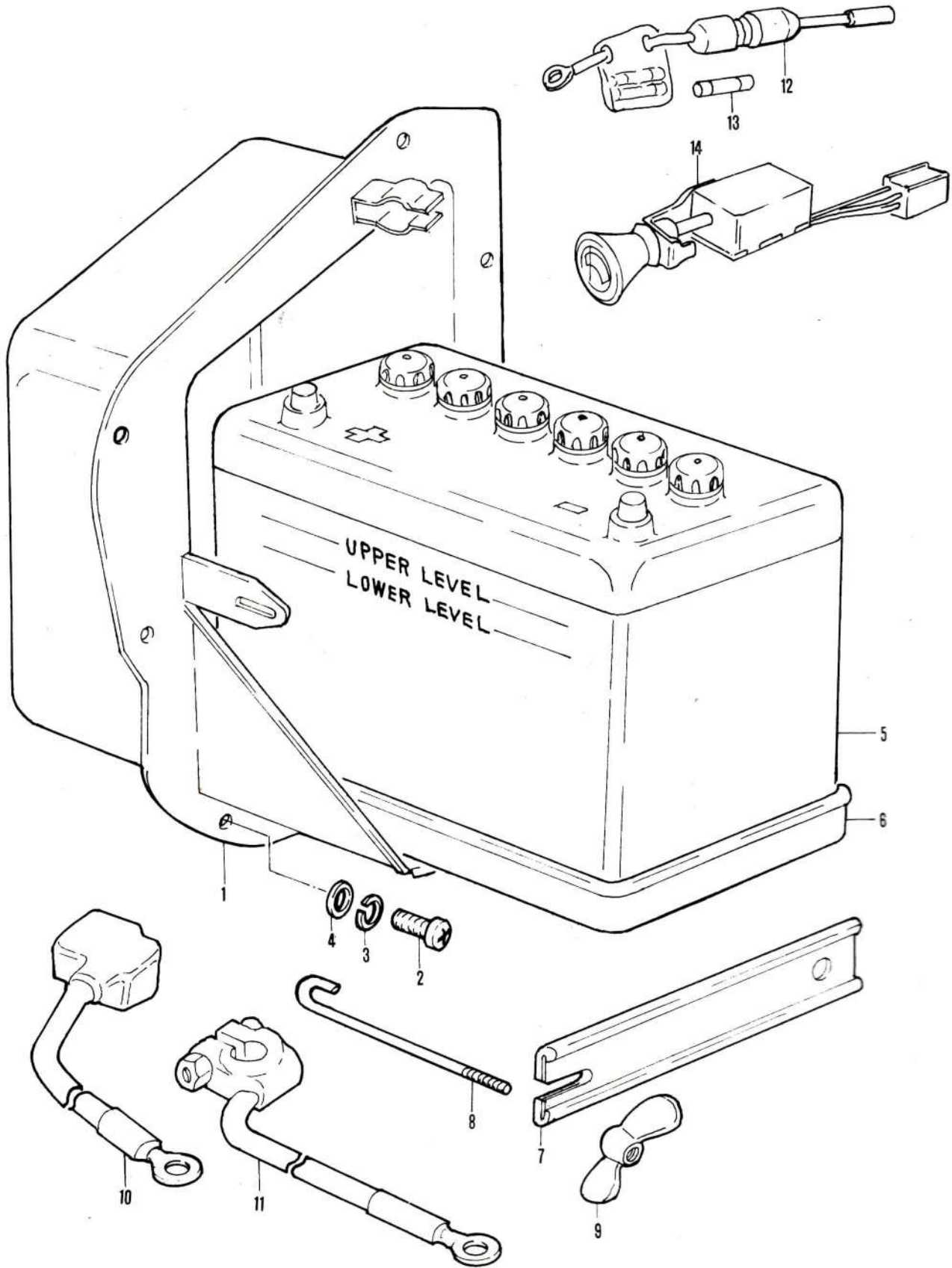


LC50

Starter Generator

Ref.No.	Part No.	Description	Q'ty	Remarks
1	31710-58211	Armature Comp.	1	
2	02111-06168	Screw	4	
3	08321-21068	Lock Washer	4	
4	31401-58210	Stator Ass'y	1	
5	31635-52210	•Carbon Brush Spring	4	
6	31631-58210	•Carbon Brush	4	
7	08321-21048	•Lock Washer	4	
8	02111-04108	•Brush Screw	4	
9	31761-58210	Fan Comp.	1	O.D.=200(7.8)
10	31767-58010	Washer	1	10X25X5(0.4X1X0.2)
11	08321-21108	Lock Washer	1	

Battery - Fuse Case



LC50

Battery - Fuse Case

Ref.No.	Part No.	Description	Q'ty	Remarks
1	72720-58201	Engine Room LH Panel	1	
2	02111-05108	Screw	8	
3	08321-21058	Lock Washer	8	
4	08322-21058	Washer	8	
5	33610-58210	Battery Ass'y	1	12V, 35AH
6	33661-56030	Battery Tray	1	
7	85810-58001	Battery Band	1	
8	85821-58001	Battery Bolt	2	
9	08317-11058	Wing Nut	2	
10	33820-58250	Battery Cord	1	L.=140(5.5)
11	33850-58250	Battery Ground Cable	1	L.=750(29.5)
12	36740-58210	Fuse Case Ass'y	1	
13	09481-20001	•Fuse	3	20A
14	37310-58311	Window Wiper Switch Ass'y	1	2 speed

Set Parts

Ref.No.	Part No.	Description	Q'ty	Remarks
1	10000-58860	Engine Gasket Set	1	
	11141-58200	•Cylinder Head Gasket	3	
	11241-58201	•Cylinder Gasket	3	
	11356-58000	•Dynamo Case Gasket	1	
	12562-58000	•Distributor Gear Case Gasket	1	
	12576-58000	•Distributor Bearing Gasket	1	
	13121-58000	•Inlet Pipe Gasket	3	
	14141-58401	•Exhaust Manifold Gasket	3	
	16732-52001	•Oil Pump Gasket	2	
	21331-58002	•Primary Gear Housing Gasket	1	
	25185-58000	•Gear Shifting Lever Case Gasket	1	

LC50 PARTS NUMBER INDEX

Part No.	Page-Ref.No.	Part No.	Page-Ref.No.	Part No.	Page-Ref.No.
00000					
01411-10208	5 8	09263-21003	9 32	12110-58790	2 3-3
01421-08258	1 11	09263-25003	9 13	12140-58857	2 1-1
01511-08508	7 13		9 24	12140-58858	2 1-2
01512-06358	1 15	09269-35003	8 10	12140-58859	2 1-3
01512-06458	1 17	09280-51001	2 23	12151-58200	2 4
04211-09169	1 13	09282-27001	7 3	12161-58000	2 14
08113-60052	2 17	09283-25013	2 16	12208-58010	2 21
08113-62033	9 4	09283-44001	7 6	12209-58010	2 19
08163-63032	9 15	09289-35002	2 25	12211-58000	2 12
	9 34	09300-12004	8 15	12221-58005	2 11
08163-63042	9 22	09380-17004	9 2	12232-58000	2 9
08211-17241	9 3	09380-30002	2 24	12241-58000	2 10
08211-17322	9 5	09381-14001	2 5	12251-58000	2 8
08317-11058	11 9	09388-00006	9 27	12491-58211	2 2
08322-21088	1 5	09388-00007	9 9	12511-58000	2 20
08331-11269	7 5	09390-47002	9 16	12621-58020	8 1
09103-08003	7 12		9 36	13111-58000	3 1
09106-08001	1 14	09390-52002	9 21	13120-58020	3 7
09106-08002	1 16	09390-62002	2 27	13121-58000	3 2
	6 3			13201-58600	3 12
09108-06002	3 3	09402-00107	3 15	13202-58600	3 13
	3 8	09402-00115	3 16	13251-58010	4 1
09108-08022	5 3	09402-00164	3 24	13252-09210	4 2
09108-08027	1 6	09421-05002	8 8	13259-58010	4 15
09140-16003	7 9	09422-05003	9 11	13268-03110	4 8
09159-08015	1 4	09422-05004	9 29	13269-58011	4 9
09160-06016	3 37	09448-12002	8 12	13295-09210	4 13
09160-06019	6 15	09448-19001	8 14	13370-58600	4 6
09160-20013	2 15	09481-20001	11 13	13383-58012	4 11
09162-08001	1 10	09482-00002	1 1-2	13392-58600	4 7
09166-16005	7 8	09482-00013	1 1-1	13394-03010	4 12
09166-27001	7 4-1	09491-20002	4 4-1	13427-58010	4 14
09166-27002	7 4-2	09491-22003	4 4-2	13551-58010	4 10
09166-27003	7 4-3	09492-22002	4 3	13710-58062	3 26
09166-27004	7 4-4	09494-00058	4 5	13770-58061	3 31
09166-30001	7 2			13775-58060	3 32
09168-08005	1 25	10000		13780-58071	3 30
09180-06001	3 36	10000-58860	12 1	13851-58030	3 35
09180-25019	2 18	11131-58200	1 2	13860-58060	3 34
09180-25020	2 22	11141-58200	1 3-1	13870-58460	3 18
09202-05008	9 18	11141-58720	1 3-2	13878-11088	3 19
09241-40001	9 1	11210-58201	1 7	13881-58000	3 14
09241-52001	9 20	11241-58201	1 8	13885-58010	3 23
09246-16002	1 26	11300-58856	1 12	14111-58710	5 1
09250-26001	7 17	11351-58001	6 1	14141-58401	5 2
09261-04006	2 28	11356-58000	6 2	14181-58400	5 7
09262-30009	2 26	11951-58610	7 16	14300-58242	5 6
09263-14001	2 6	12005-58807	2 7	14411-58401	5 11
09263-20001	2 13	12110-58201	2 3-1	14421-58700	5 12
		12110-58780	2 3-2	16820-58230	6 17

LC50 PARTS NUMBER INDEX

Part No. Page-Ref.No. Part No. Page-Ref.No. Part No. Page-Ref.No.

16830-58230	6 18	31767-58010	10 10
16840-58230	6 19	33543-51030	6 16
17210-58200	6 7	33610-58210	11 5
17221-58200	6 8	33661-56030	11 6
17260-58404	6 12	33820-58250	11 10
		33850-58250	11 11
		36740-58210	11 12

20000

21110-58200	7 1
21211-58201	7 7
21311-58003	7 11
21331-58002	7 10
21341-58004	7 14

70000

22100-58021	8 3	72720-58201	11 1
22231-58020	8 4		
22234-58010	8 5		
22400-58420	8 2		
22511-58002	8 9		

23161-58000	8 11
23260-58000	8 13
23266-58000	8 16
24121-58401	9 14
24131-58002	9 23

80000

24231-58400	9 12	85810-58001	11 7
24240-58000	9 6	85821-58001	11 8
24311-58400	9 31		
24321-58400	9 25		
24371-58400	9 33		

24411-58400	9 28
24412-58001	9 10
24421-58400	9 30
24421-60000	9 8
24431-58404	9 26

90000

24432-58040	9 7	99000-33010	1 27
24551-58001	9 17		
24560-58400	9 19		
24841-58000	7 15		

30000

31401-58210	10 4
31631-58210	10 6
31635-52210	10 5
31710-58210	10 1
31761-58210	10 9



SUZUKI MOTOR CO.,LTD.

Head Office:P.O.Box 116. Hamamatsu Japan

SUZUKI FRONTE LC50 PARTS CATALOGUE

Published in Oct., 1969

Printed in Oct., 1969

Editor : SUZUKI MOTOR Co.,LTD.

Export parts section

Reprint Prohibited



SUZUKI MOTOR CO.,LTD.

Head Office:

P.O.Box 116, Hamamatsu, Japan

Tokyo Branch:

2-2-8, Higashi-Shinbashi, Minato-ku
Tokyo, Japan

U.S.SUZUKI MOTOR CORPORATION:

13767 Freeway Drive, Santa Fe Springs,
California 90670 U.S.A