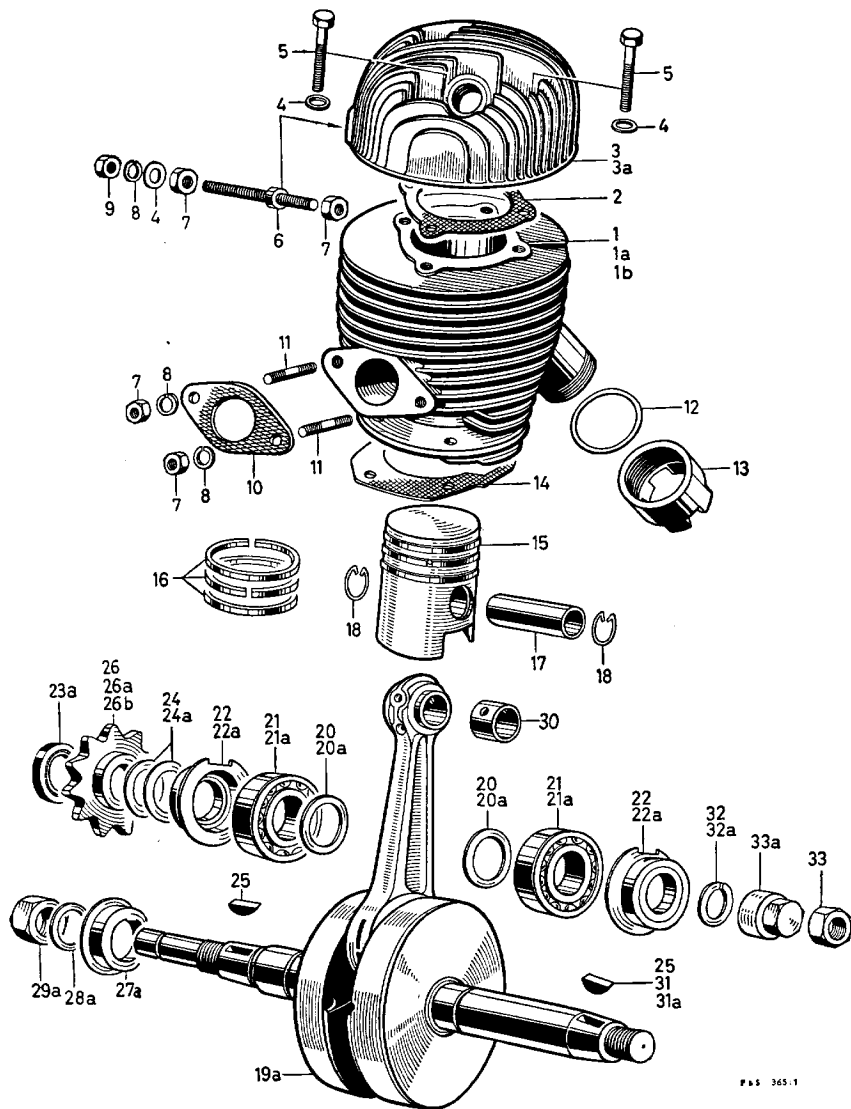


**Cylinder, Piston, Crankshaft**



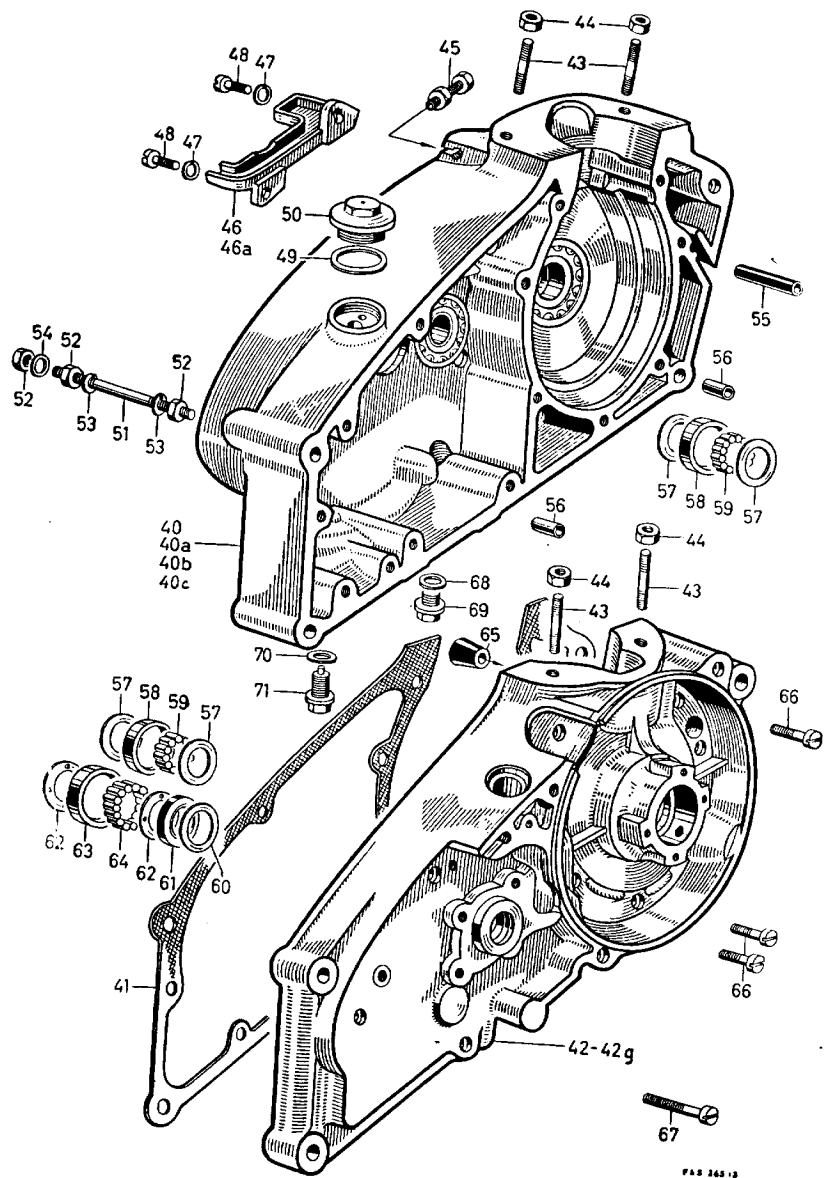
**PLATE 1**

**Cylinder, Piston, Crankshaft**

Illustr. No.	Part No.	Designation	Number	Weight in g per item		
20 a	0944 046 000	Shim 0,2 mm for item 19 . . . . .	as required	0,5		
	0944 046 001	Shim, 0,3 mm . . . . .		0,7		
	0944 046 002	Shim, 0,5 mm . . . . .		1,2		
	0944 046 003	Shim, 0,4 mm . . . . .		1		
	0944 046 004	Shim, 0,8 mm . . . . .		2		
	0944 046 005	Shim, 0,15 mm . . . . .		0,3		
	0944 046 006	Shim, 1,0 mm . . . . .		2,5		
21	0932 063 000	Single-thrust bearing M 20, for item 19 . . . . .	2	140		
21 a	0632 017 000	Roller bearing, NJL 25 CNA, for item 19 a . . . . .	2	137		
22	0686 010 000	Oil seal for crankshaft, item 19 . . . . .	2	30		
22 a	0687 006 000	Oil seal for crankshaft, item 19 a . . . . .	2	30		
23 a	0650 038 000	Oil seal 15 x 30 x 10 for item 19 a . . . . .	1	10		
24	0644 041 000	Shim 0,1 mm . . . . .	Model AZL as req.	0,5		
	0640 041 001	Shim, 0,15 mm . . . . .		0,6		
	0644 041 002	Shim, 0,3 mm . . . . .		0,7		
	0644 041 003	Shim, 0,5 mm . . . . .		1		
	0644 041 004	Shim, 0,8 mm . . . . .		1,7		
	24 a	0244 081 000		Shim, 0,3 mm . . . . .	Model KL as required	0,4
	0244 081 001	Shim, 0,4 mm . . . . .		0,5		
0244 081 002	Shim, 0,5 mm . . . . .	0,6				
0244 081 003	Shim, 0,6 mm . . . . .	0,7				
0244 081 005	Shim, 0,8 mm . . . . .	0,8				
0244 081 006	Shim, 1,0 mm . . . . .	1				
25	0246 001 001	Woodruff key for mainshaft (for K and KL models 2 keys, for AZL model 1 key) . . . . .	2	1		
26	0636 002 100	Small sprocket on crankshaft, models K and KL . . . . .	1	115		
26 a	0636 021 100	Small sprocket on crankshaft, (models AZL-Siba, Hercules, Mars, Progress) . . . . .	1	120		
26 b	0636 101 000	Small sprocket on crankshaft, model AZL-Bosch . . . . .	1	150		
27 a	0644 049 000	Oil thrower ring, model AZL . . . . .	1	9,5		
28 a	0644 042 000	Lock washer, model AZL . . . . .	1	3		
28	0644 010 000	Lock washer, models K and KL . . . . .	1			
29 a	0642 009 100	Hexagon head bolt, metric 17 x 1, left-hand thread, model AZL . . . . .	1	13		
29	0642 003 000	Hexagon nut, metric 12 x 1, left-hand thread, models K and KL . . . . .	1	7		
30	09 0632 013 005	Small-end bush . . . . .	1	14		
31	0646 000 000	Woodruff key for AZL-Siba . . . . .	1	3,5		
31 a	0946 000 000	Woodruff key for AZL-Bosch . . . . .	1	1		
32 a	0245 023 008	Spring washer for metric 16, AZL . . . . .	1	7		
32	0245 023 007	Spring washer for metric 14, models K and KL . . . . .	1	6		
33 a	0642 010 001	Flanged nut, metric 16, for AZL . . . . .	1	90		
33	0942 020 000	Hexagon nut, metric 14, for models K and KL . . . . .	1	17		

**Refuse to Accept Non-genuine Spares**

**Crankcase, Centre Section**



**PLATE 2**

**Crankcase, Centre Section**

Illustr. No.	Part No.	Designation	Number	Weight per
	09 0687 026 012	Crankcase assembly, <b>Models K and KL</b> . . .	1	
	<b>consisting of:</b>			
40	09 0687 018 001	Crankcase half, centre section assembly 1x		
41	0650 034 000	Crankcase gasket . . . . . 1x		
42	09 0687 019 000	Crankcase half (magneto side) assembly 1x		
	09 0687 026 009	Crankcase assembly, <b>Models AZL-Siba, Hercules</b> . . . . .	1	
	<b>consisting of:</b>			
40 a	09 0687 008 006	Crankcase half, centre section assembly 1x		
41	0650 034 000	Crankcase gasket . . . . . 1x		
42 c	09 0687 015 008	Crankcase half (magneto side) assembly 1x		
	09 0687 026 015	Crankcase assembly, <b>Models AZL and AZL-R-Siba</b> . . . . .	1	
	<b>consisting of:</b>			
40 a	09 0687 008 006	Crankcase half, centre section assembly 1x		
41	0650 034 000	Crankcase gasket . . . . . 1x		
42 a	09 0687 015 001	Crankcase half (magneto side) assembly 1x		
	09 0686 157 000	Crankcase assembly, <b>Models AZL-Bosch</b> . . . . .	1	
	<b>consisting of:</b>			
40 b	09 0686 116 000	Crankcase half, centre section assembly 1x		
41	0650 034 000	Crankcase gasket . . . . . 1x		
42 b	09 0686 115 000	Crankcase half (magneto side) assembly 1x		
	09 0686 157 008	Crankcase assembly, <b>Model AZL-Bosch, Hercules</b> . . . . .	1	
	<b>consisting of:</b>			
40 b	09 0686 116 000	Crankcase half, centre section assembly 1x		
41	0650 034 000	Crankcase gasket . . . . . 1x		
42 d	09 0686 115 008	Crankcase half (magneto side) assembly 1x		
	09 0686 157 001	Crankcase assembly, <b>Model AZL-R-Bosch</b> . . . . .	1	
	<b>consisting of:</b>			
40 b	09 0686 116 000	Crankcase half, centre section assembly 1x		
41	0650 034 000	Crankcase gasket . . . . . 1x		
42 e	09 0686 115 001	Crankcase half (magneto side) assembly 1x		
	09 0686 157 003	Crankcase assembly, <b>Model AZL-R-Bosch, Messerschmitt</b> . . . . .	1	
	<b>consisting of:</b>			
40 c	09 0686 116 001	Crankcase half, centre section assembly 1x		
41	0650 034 000	Crankcase gasket . . . . . 1x		
42 f	09 0686 115 003	Crankcase half (magneto side) assembly 1x		
	09 0686 157 004	Crankcase assembly, <b>Model AZL-R-Bosch, Fulda</b> . . . . .	1	
	<b>consisting of:</b>			
40 b	09 0686 116 000	Crankcase half, centre section assembly 1x		
41	0650 034 000	Crankcase gasket . . . . . 1x		
42 g	09 0686 115 004	Crankcase half (magneto side) assembly 1x		

**Use only Genuine F & S Spare Parts**

Crankcase, Centre Section

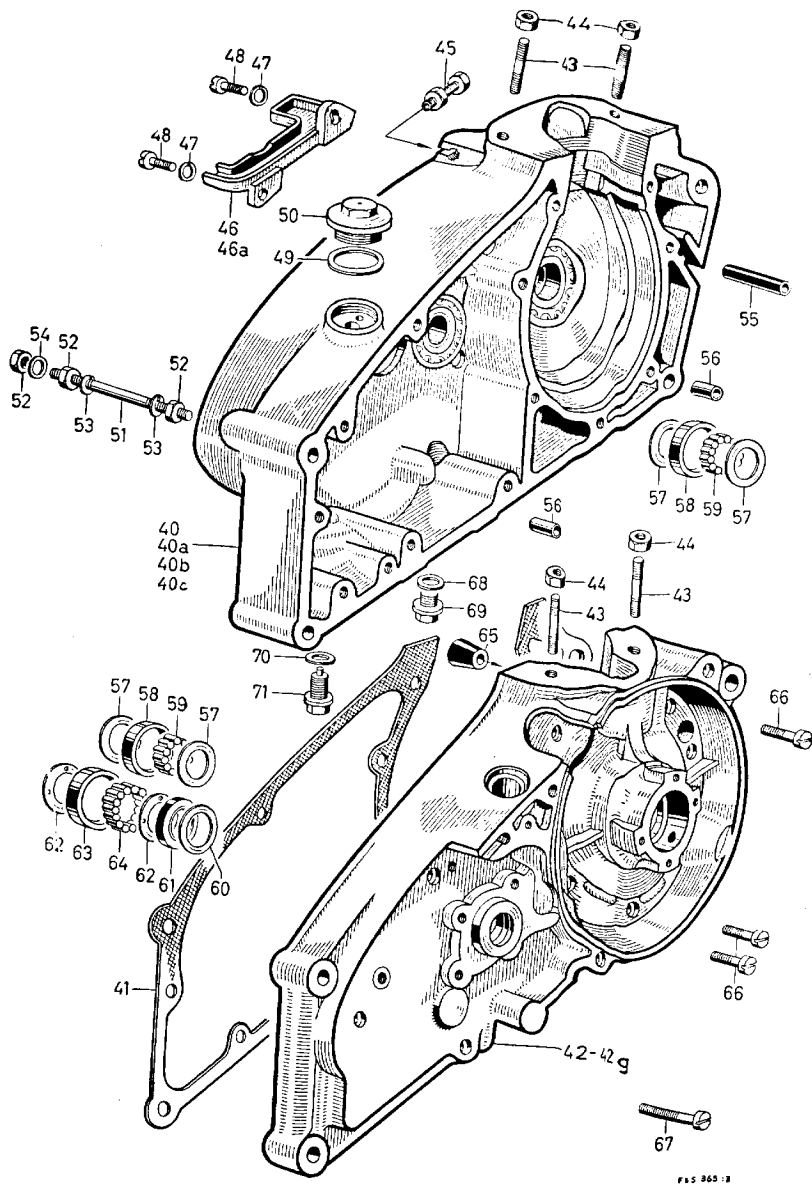


PLATE 2

Crankcase, Centre Section

Illustr. No.	Part No.	Designation	Number	Weight per item
43	0940 017 000	Stud, metric 8 x 20 . . . . .	4	1
44	0942 067 000	Hexagon nut, metric 8 . . . . .	4	3
45	0686 079 000	Adjusting screw with nut, Models K and KL . . . . .	1	5
46	0670 010 100	Oil sump, models KL and AZL-Siba . . . . .	1	20
46 a	0670 101 000	Oil sump, models AZL-Bosch . . . . .	1	23
47	0245 023 002	Spring washer for screw, metric 6 . . . . .	2	2
48	0240 059 000	Cheese head screw, metric 6 x 18 . . . . .	2	5
49	0650 050 000	Washer for air vent plug . . . . .	1	0
50	0640 006 000	Air vent plug . . . . .	1	18
51	0640 033 000	Stud, metric 8 x 116 for silencer (Messerschmitt) . . . . .	1	35
52	0242 020 000	Hexagon nut, metric 8 . . . . .	3	6
53	0245 023 003	Spring washer for metric 8 . . . . .	2	1
54	0250 031 002	Washer . . . . .	3	3
55	0660 008 000	Tubular insert, model KL . . . . .	1	2
56	0949 081 000	Dowel tube, dia. 10 mm x 15 mm . . . . .	2	3
57	0244 039 000	Washer for roller bearing . . . . .	4	3
58	0232 012 000	Roller bearing outer race 6 mm wide, for main shaft and layshaft . . . . .	2	12
59	0232 002 000	Roller, dia. 4 mm x 6 mm, for mainshaft and layshaft . . . . .	26	0
60	0244 082 000	Shim for main shaft . . . . .	as req.	0
61	0250 060 002	Washer for main shaft . . . . .	1	2
62	0244 078 000	Washer for roller bearing . . . . .	2	4
63	0232 025 000	Roller bearing outer race, with 8 mm for mainshaft . . . . .	1	20
64	0232 014 000	Bearing roller, dia. 4 mm x 8 mm, for mainshaft . . . . .	15	0
65	0660 011 000	2-pole rubber socket for AZL-R . . . . .	1	2
	0660 010 000	1-pole rubber socket for AZL . . . . .	1	0
66	0640 001 000	Cheese head screw, metric 6 x 22 . . . . .	7	6
67	0940 091 100	Cheese head screw, metric 6 x 35 . . . . .	6	0
68	0650 009 000	Seal for oil drain plug . . . . .	1	0
69	0640 007 000	Oil drain plug . . . . .	1	36
70	0650 004 000	Seal for stop screw . . . . .	1	0
71	0640 005 005	Stop screw for kickstarter . . . . .	1	35

Refuse to Accept Non-genuine Spares

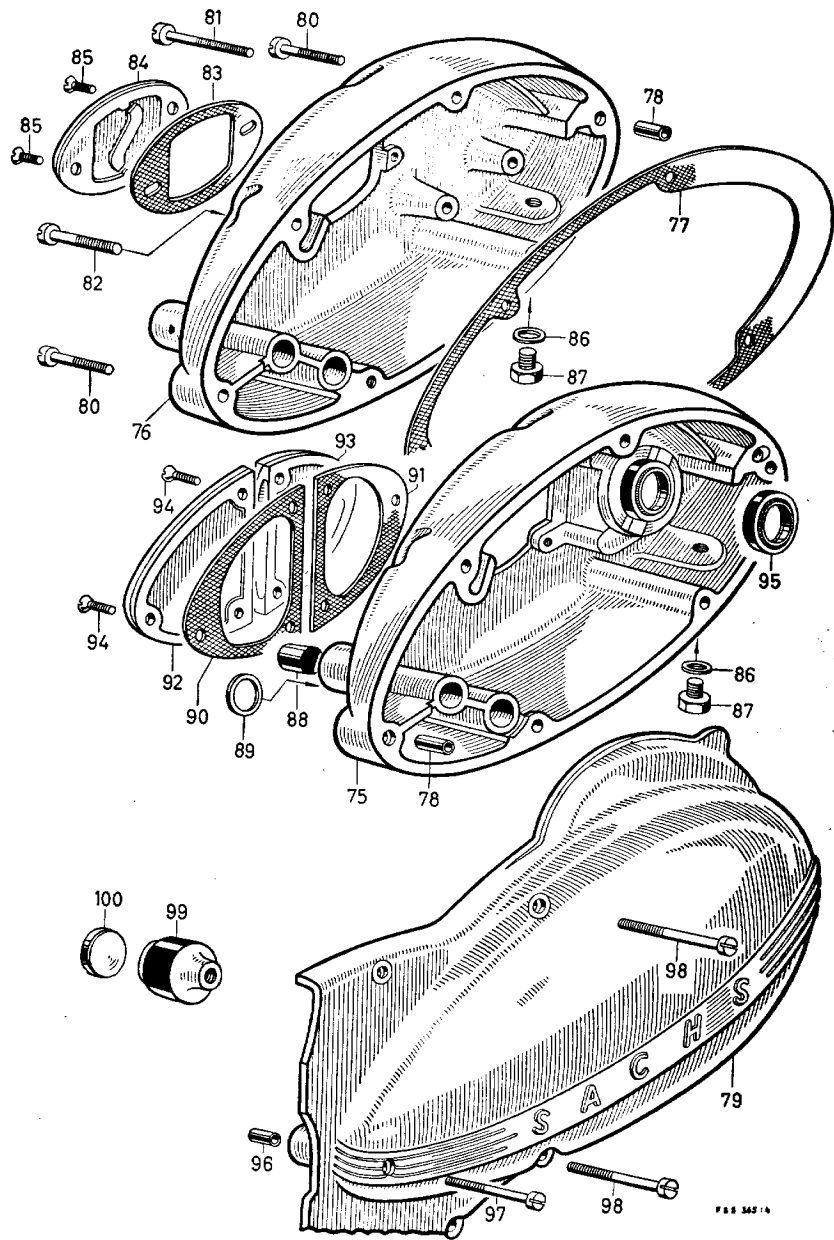
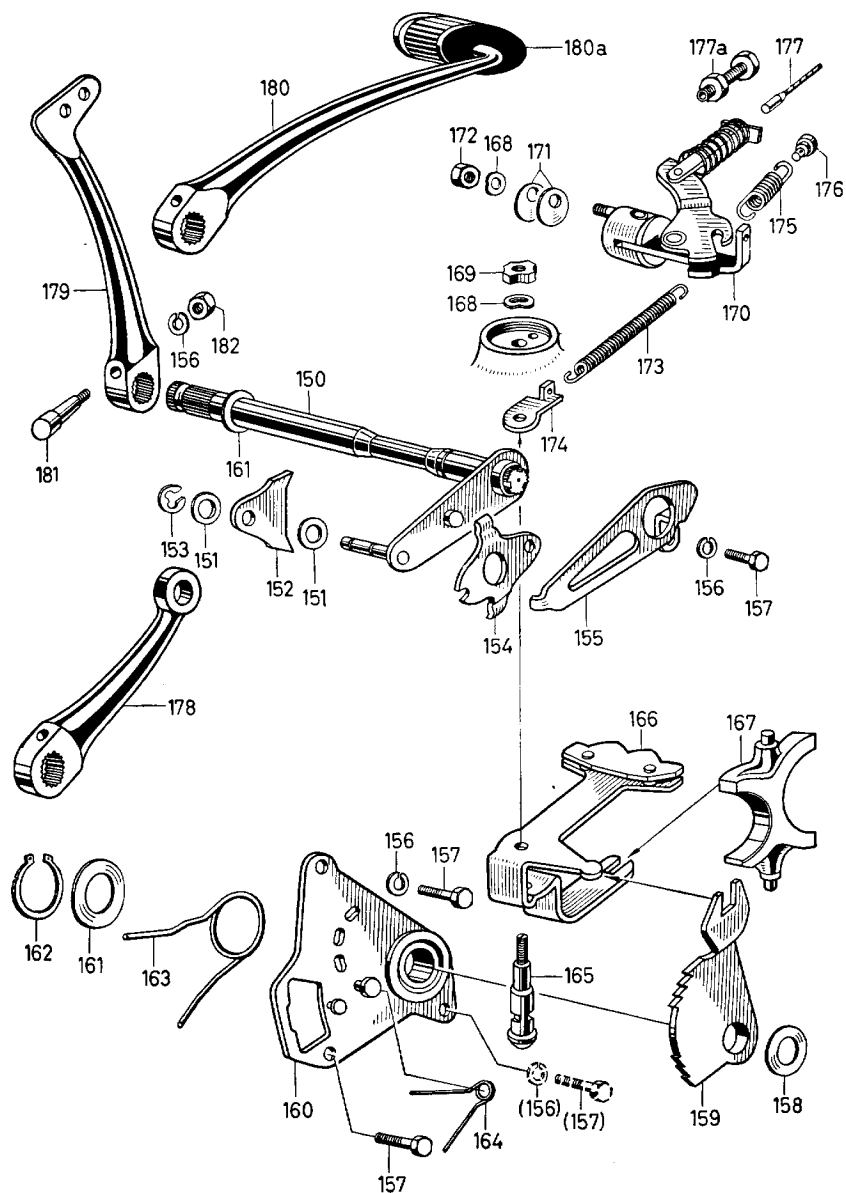


PLATE 3

Illustr. No.	Part No.	Designation	Number	Weight in g per item
75	0686 102 000	Crankcase side cover assembly, drive side, model KL, Progress	1	948
	0687 007 005	Crankcase side cover assembly, drive side, model AZL, Progress	1	948
	0687 007 000	Crankcase side cover assembly, drive side, model AZL (Messerschmitt, Fulda, BAW, Hercules)	1	948
76	0611 036 000	Crankcase side cover, drive side, models K and KL	1	948
77	0650 037 000	Gasket for crankcase cover, drive side	1	2,5
78	0929 009 000	Dowel tube	2	2
79	0611 039 005	Crankcase side cover, magneto side	1	1125
	0611 016 005	Cover plate for item 79	1	
80	0940 091 100	Cheese head screw, metric 6 x 35	2	5
81	0640 003 000	Cheese head screw, metric 6 x 55	3	13
82	0640 004 000	Cheese head screw, metric 6 x 45	2	11
83	0650 001 000	Gasket for cover plate	1	0,1
84	0640 002 000	Oval head countersunk screw, metric 5 x 20	2	2
85	0611 002 000	Cover plate	1	19
86	0950 014 001	Seal for oil level check plug	1	0,4
87	0940 025 000	Oil level check plug	1	0,4
88	0660 006 000	Plug for starter shaft hole	1	6
89	0650 017 000	Seal for gear change shaft and starter shaft	2	0,3
90	0650 036 005	Gasket for clutch cover	1	1,5
91	0650 036 001	Gasket for contact breaker cover	1	1,5
92	0611 042 005	Cover plate for clutch	1	60
93	0611 042 001	Cover plate for contact breaker	1	68
	0611 042 003	Cover, model: Progress	1	
	0611 042 008			
	0650 036 001	Gaskets (can be supplied only in combination)	1	
	0650 042 000			
94	0640 027 000	Oval head countersunk screw for cover plate	1	2,5
95	0650 038 000	Seal for crankcase side cover (AZL)	6	11
96	0929 009 000	Dowel tube for item 79	1	2
97	0640 003 000	Cheese head screw, metric 6 x 55, for item 79	1	13
98	0640 029 000	Cheese head screw, metric 6 x 65, for item 79	1	15
99	0687 034 000	Rubber mounting (Progress)	3	145
100	0660 100 000	Plug for crankcase side cover (Progress)	2	15

Use only Genuine F & S Spare Parts

## Gear Change Mechanism



P. 5 365 : 6

**PLATE 5**

## Gear Change Mechanism

Illustr. No.	Part No.	Designation	Number	Weight per item
	09 0686 033 005	Complete gear-change mechanism, comprising items 150 - 164		
150	0686 044 001	Gear-change shaft, cpl. with baulking lever	1	250
151	0644 013 000	Shim, 1,0 mm	} as req.	
	0644 013 001	Shim, 0,3 mm		
	0644 013 002	Shim, 0,8 mm		
	0644 013 003	Shim, 0,2 mm		
	0648 005 005	Pawl		
152	0645 001 000	Special retainer A 7 for pawl	1	10
153	0648 021 000	Stop bracket	1	20
154	0648 022 000	Stop lever	1	30
155	0245 023 002	Spring washer for metric 6	3	0
156	1815 008 000	Hexagon screw, metric 6 x 18	3	3
157	0644 004 000	Spacer for arresting lever	1	3
158	0686 024 001	Ratchet lever, assembly	1	95
159	0686 019 001	Carrier plate, assembly	1	136
160	0644 002 000	Shim, 0,8 mm	} as req.	
161	0644 002 001	Shim, 0,5 mm		
	0644 002 002	Shim, 0,3 mm		
	0644 002 003	Shim, 1,3 mm		
162	0945 065 000	Circlip A 14		1
163	0639 002 000	Return spring	1	13
164	0639 009 001	Ratchet spring	1	20
165	0649 001 000	Pivot pin	1	08
166	0686 007 000	Selector fork assembly	1	150
167	0648 003 000	Selector bridge	1	75
168	0644 011 000	Lock washer	2	0
169	0642 004 000	Nut, metric 8, for pivot pin	1	5
170	0686 017 000	Neutral selector assembly	1	90
171	0644 014 000	Shim, 0,2 mm	} as req.	
	0644 014 001	Shim, 0,3 mm		
	0644 014 002	Shim, 0,5 mm		
172	0242 020 000	Hexagon nut, metric 8, for eccentric pin	1	6
173	0639 004 000	Tension spring for pawl	1	3
174	0651 000 000	Attachment plate for tension spring	1	5
175	0639 003 000	Tension spring for neutral selector	1	1
176	0649 002 000	Spring retaining screw for neutral arresting mechanism	1	3
177	0299 041 008	Control cable with soldertag 0299 002 002 for neutral arresting mechanism (state length required)	1	34
177 a	0686 079 000	Adjusting screw and nut	1	5
178	0648 010 005	Gear-change lever (models Hercules and Progress)	1	135
179	0648 020 000	Gear-change lever (model Messerschmitt)	1	176
180	0648 001 000	Foot gear-change lever	1	20
180 a	0660 000 000	Rubber pedal sleeve	1	7
181	0640 000 000	Clamping screw, metric 6 x 30, for gear change lever	1	7
182	0316 057 002	Hexagon nut, metric 6	1	2

**Refuse to Accept Non-genuine Spares**

### Kickstarter, Speedometer Drive

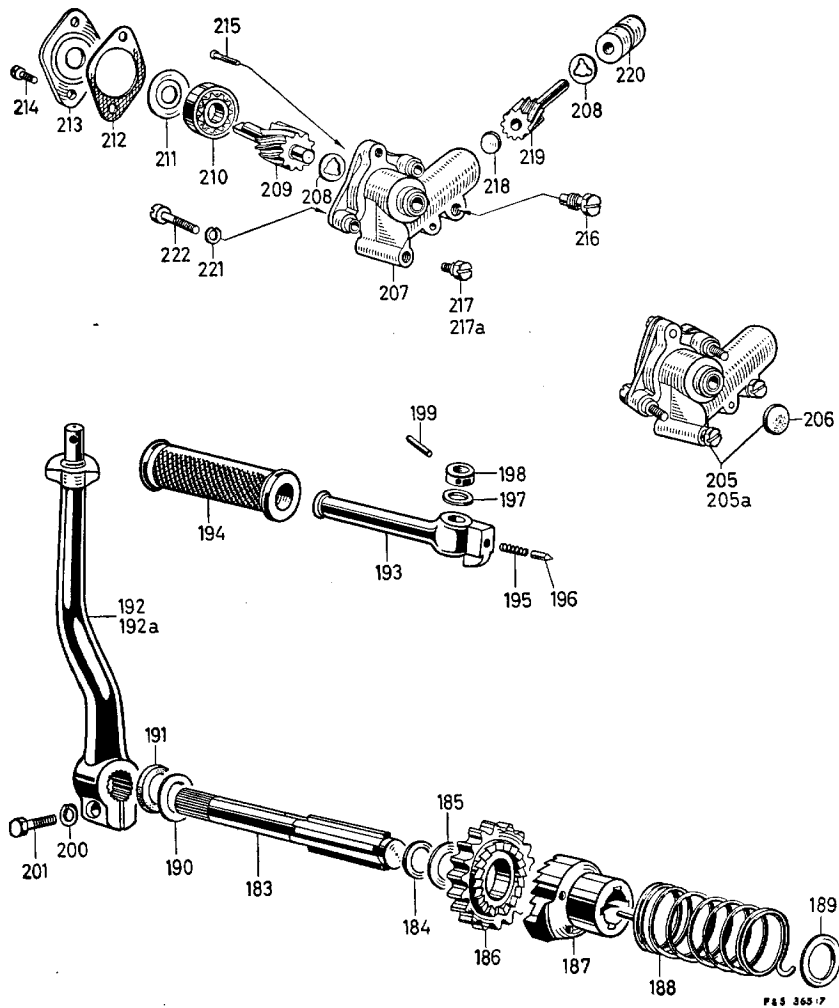


PLATE 6

### Kickstarter, Speedometer Drive

Illustr. No.	Part No.	Designation	Number	Weight per item
183	0637 003 000	Kickstarter shaft	1	20
184	0244 006 000	Shim, 0,5 mm	as required	
	0244 006 001	Shim, 0,3 mm		
	0244 006 002	Shim, 0,8 mm		
	0244 006 003	Shim, 0,4 mm		
	0244 006 004	Shim, 0,6 mm		
	0244 006 005	Shim, 1,0 mm		
185	0644 022 000	Thrust washer for starter pinion	1	
186	0634 004 000	Starter pinion, 24 teeth	1	16
187	0634 005 001	Ratchet wheel	1	10
188	0639 001 001	Kickstarter spring	1	4
189	0647 000 000	Kickstarter locating ring	1	13
190	0644 002 000	Shim, 0,8 mm, for kickstarter shaft	as req.	
	0644 002 001	Shim, 0,5 mm		
	0644 002 002	Shim, 0,3 mm		
	0644 002 003	Shim, 1,3 mm		
191	0650 017 000	Washer for starter shaft	1	
192	0648 013 001	Kickstarter crank	1	9
192 a	0648 100 000	Kickstarter crank (rigid, model Progress)	1	
	0686 039 001	Kickstarter crank assembly, consisting of items 192 - 201		
193	0248 056 001	Kickstarter pawl	1	38
194	0260 017 000	Rubber pedal sleeve	1	20
195	0239 027 000	Compression spring	1	1
196	0249 031 000	Pin	1	2
197	0244 044 000	Shim, 1,0 mm	as req.	
	0244 044 001	Shim, 0,8 mm		
	0244 044 002	Shim, 0,3 mm		
	0244 044 003	Shim, 0,15 mm		
	0247 012 001	Collar		
198	0249 042 000	Locking pin	1	5
199	0245 023 003	Spring washer for metric 8	1	1
200	0940 080 000	Hexagon bolt, metric 8 x 21	1	0
201			1	15

Use only Genuine F&S Spare Parts

### Kickstarter, Speedometer Drive

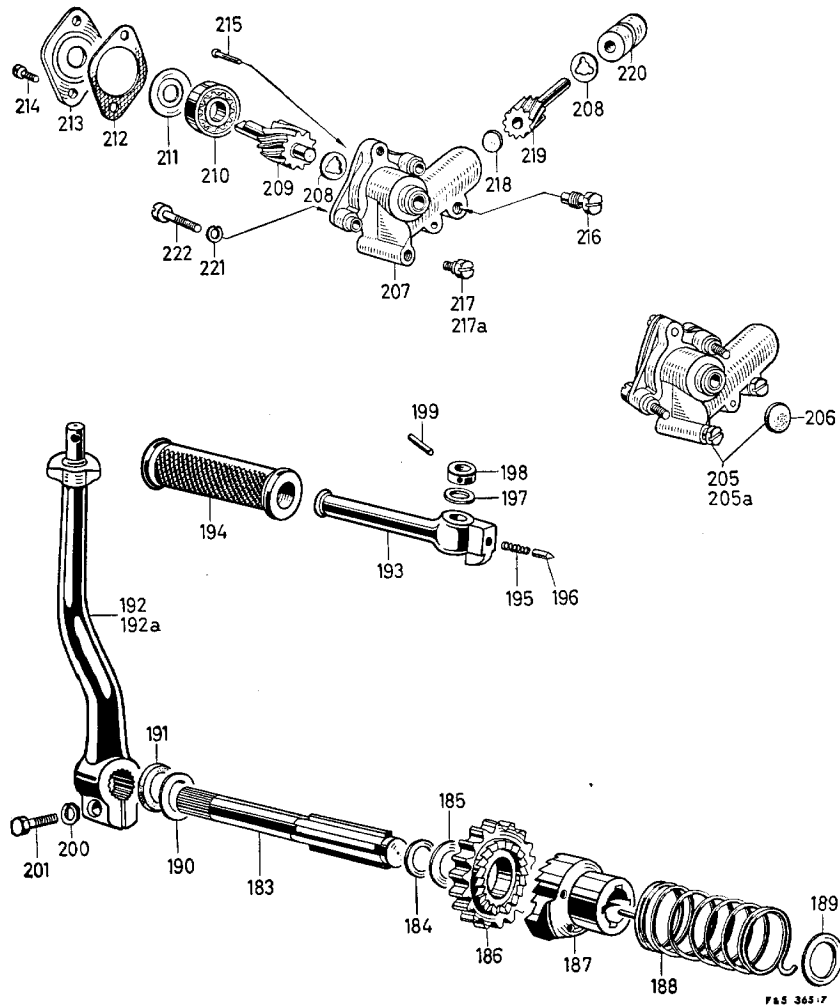


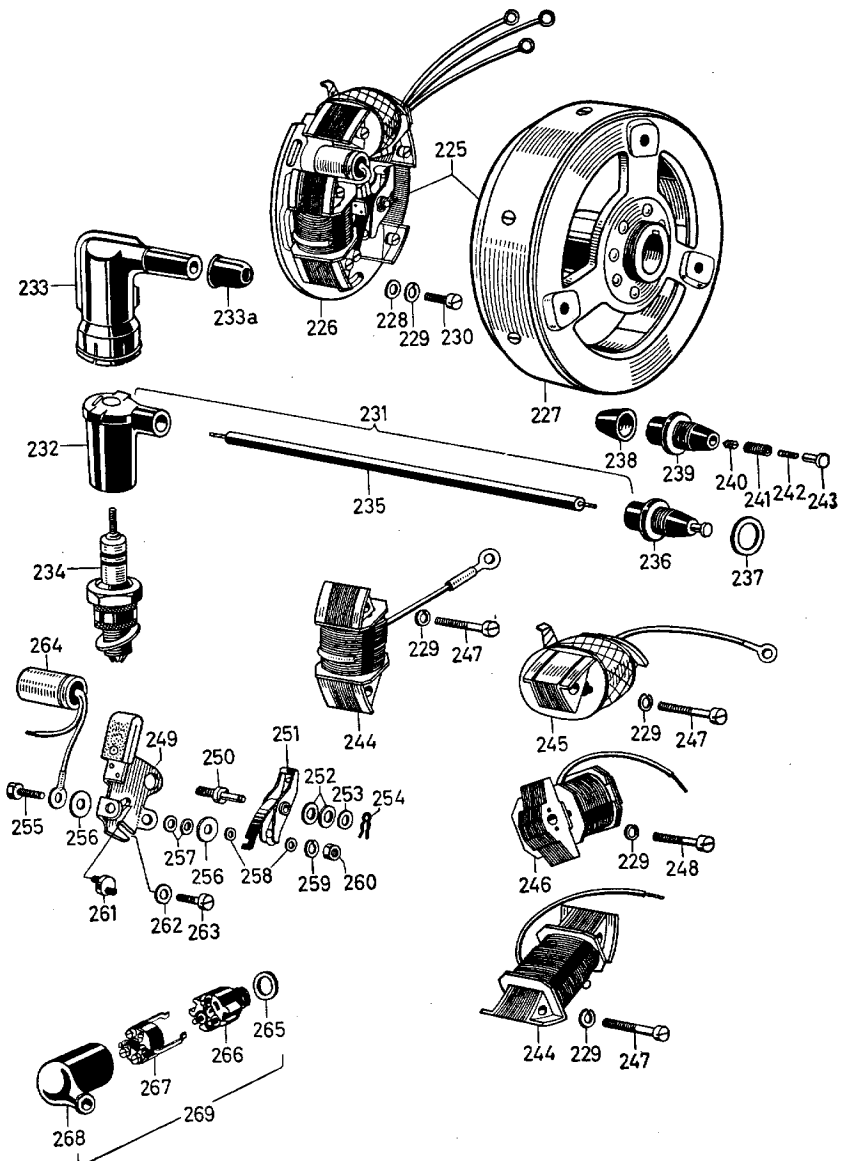
PLATE 6

### Speedometer Drive

Illustr. No.	Part No.	Designation	Number	Weight per item
<b>Speedometer Drive</b>				
205	0686 020 003	Speedometer drive assembly, model Progress	1	254
205 a	0686 020 005	Speedometer drive assembly, models K and AZL	1	0
206	0650 012 000	Sealing washer (felt)	1	116
207	0611 005 005	Speedometer drive box	1	19
208	0644 018 000	Shim, 0,5 mm	} 05 req.	14
	0644 018 001	Shim, 0,3 mm		3
209	0634 008 000	Drive pinion	1	6
210	0632 005 000	Ball bearing	1	4
211	0650 015 000	Sealing washer (synthetic rubber)	1	1
212	0650 011 000	Washer for cover	1	0
213	0611 006 000	Cover	1	13
214	0240 056 002	Cheese head screw, metric 5 x 12	2	3
215	0249 023 000	Grooved pin, dia. 3 mm x 20 mm	1	0
216	0640 008 000	Clamping screw, metric 8 x 14	1	6
217	0241 023 000	Hexagon plug	1	4
217 a	0999 002 001	Lubricating nipple (model Progress)	1	1
218	0644 017 000	Thrust washer	1	1
219	0634 009 000	Drive pinion	1	26
220	0632 003 000	Bush for speedometer drive shaft	1	30
221	0245 023 001	Spring washer for metric 5	2	0
222	0640 009 000	Cheese head screw, metric 5 x 25	2	4

Refuse to Accept Non-genuine Spares

# Ignition System



P&S 163-8

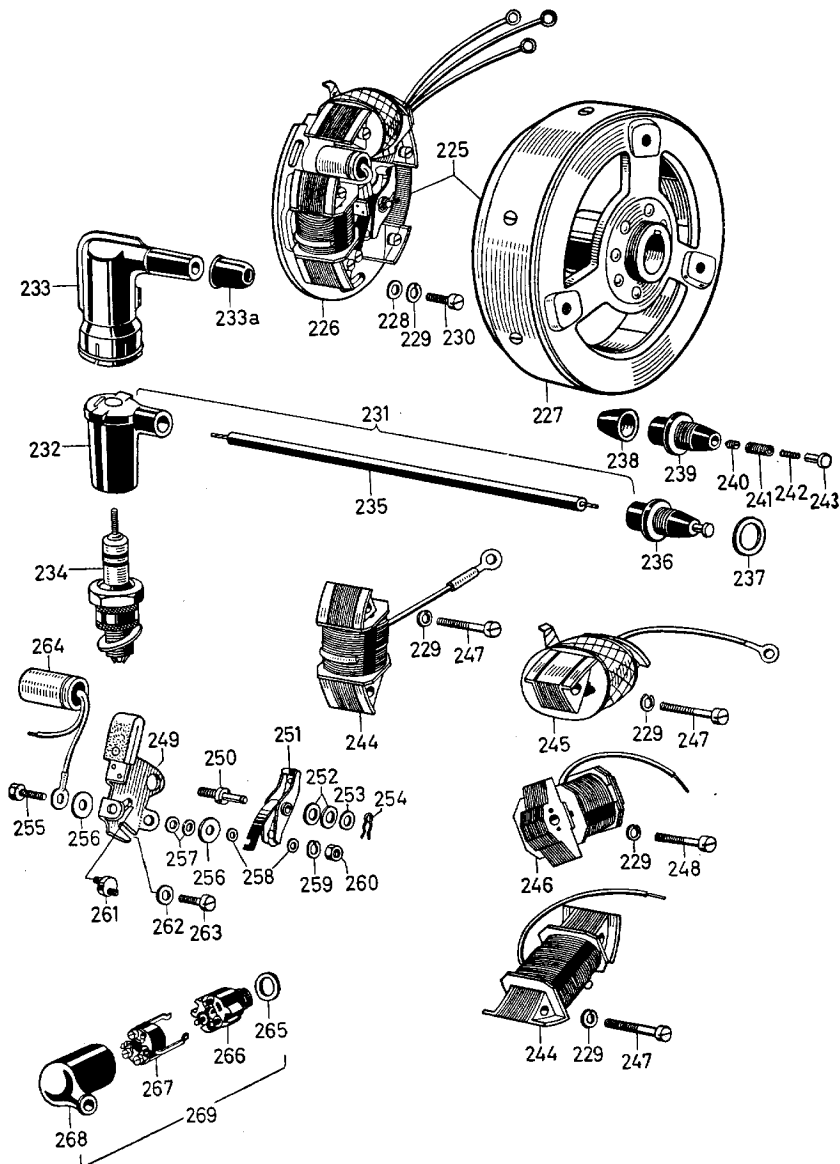
## PLATE 7

# Ignition System

Illustr. No.	Part No.	Designation	Number	Weight per item
225	0686 045 000	Ignition system assembly	1	3660
226	09 0686 031 005	Armature base plate assembly (supplied only in conjunction with item 227)	1	960
227	09 0686 032 005	Magneto flywheel (supplied only in conjunction with item 226)	1	2700
228	0244 054 002	Washer	3	0
229	0245 023 001	Lock washer for metric 5	10	0
230	0240 056 001	Cheese head screw, metric 5	3	2
231	0686 028 006	H. T. cable assembly (with item 232)	1	47
	0289 007 010	H. T. cable assembly (with item 233 and 233a)	1	76
232	0238 091 000	Sparking plug connector (standard)	1	19
233	0265 101 000	Sparking plug connector (partly screened)	1	42
233 a	0265 109 011	Rain protecting cover (for item 233)	1	1
234	0699 011 002	Sparking plug M 225 P 11 S	1	86
235	0966 015 000	H. T. cable	1	35
236	09 0686 034 001	Brush holder	1	11
237	0650 010 000	Washer for H. T. cable	1	0
238	0265 036 000	Rubber cap for brush holder	1	1
239	0265 032 000	Connector for H. T. cable	1	7
240	0265 007 000	Contact insert	2	1
241	0265 031 001	Spring holder	1	1
242	0239 023 003	Contact spring	1	0
243	0966 006 000	Contact tip	1	0
244	09 0665 005 005	Lighting armature	2	190
245	09 0665 004 005	Ignition armature	1	200
246	09 0665 006 005	Charging armature	1	160
247	09 0640 012 000	Cheese head screw, metric 5	6	6
248	0640 097 008	Cheese head screw, metric 5	1	3
249	09 0265 053 003	Contact bracket with contact and felt lubricating pad	1	15
250	09 0240 066 005	Pivot pin for contact breaker arm	1	3
251	09 0288 022 003	Contact breaker arm with contact and spring	1	9
252	09 0244 085 000	Shim, 0,1 mm		0
	09 0244 085 001	Shim, 0,2 mm		0
253	09 0244 045 000	Washer	1	0
254	09 0239 017 000	Spring clip	1	0
255	09 0241 020 000	Hexagon screw	1	2
256	09 0265 071 000	Insulating washer, large	2	0
257	09 0265 070 000	Insulating washer, small	2	0

Use only Genuine F & S Spare Parts

**Ignition System**



F&S 365-B

**PLATE 7**

**Ignition System**

Illustr. No.	Part No.	Designation	Number	Weight per item
258	09 0244 061 000	Spacer . . . . .	2	0
259	0245 009 000	Spring washer . . . . .	1	0
260	09 0242 039 000	Hexagon nut . . . . .	1	0
261	09 0265 010 000	Eccentric pivot . . . . .	1	1
262	09 0244 060 005	Washer . . . . .	1	0
263	09 0241 021 000	Cheese head screw . . . . .	1	2
264	09 0665 008 005	Condenser . . . . .	1	21
265	09 0650 014 000	Sealing ring . . . . .	1	0
266	09 0665 000 000	Cable connector (fixed portion) . . . . .	1	17
267	09 0665 002 000	Cable connector (detachable portion) . . . . .	1	18
268	0665 001 000	Rubber cap . . . . .	1	12
269	09 0686 015 005	Three-way cable connector assembly comprising items 265 - 268 . . . . .	1	35

**Refuse to Accept Non-genuine Spares**

Combined starting, ignition and lighting system

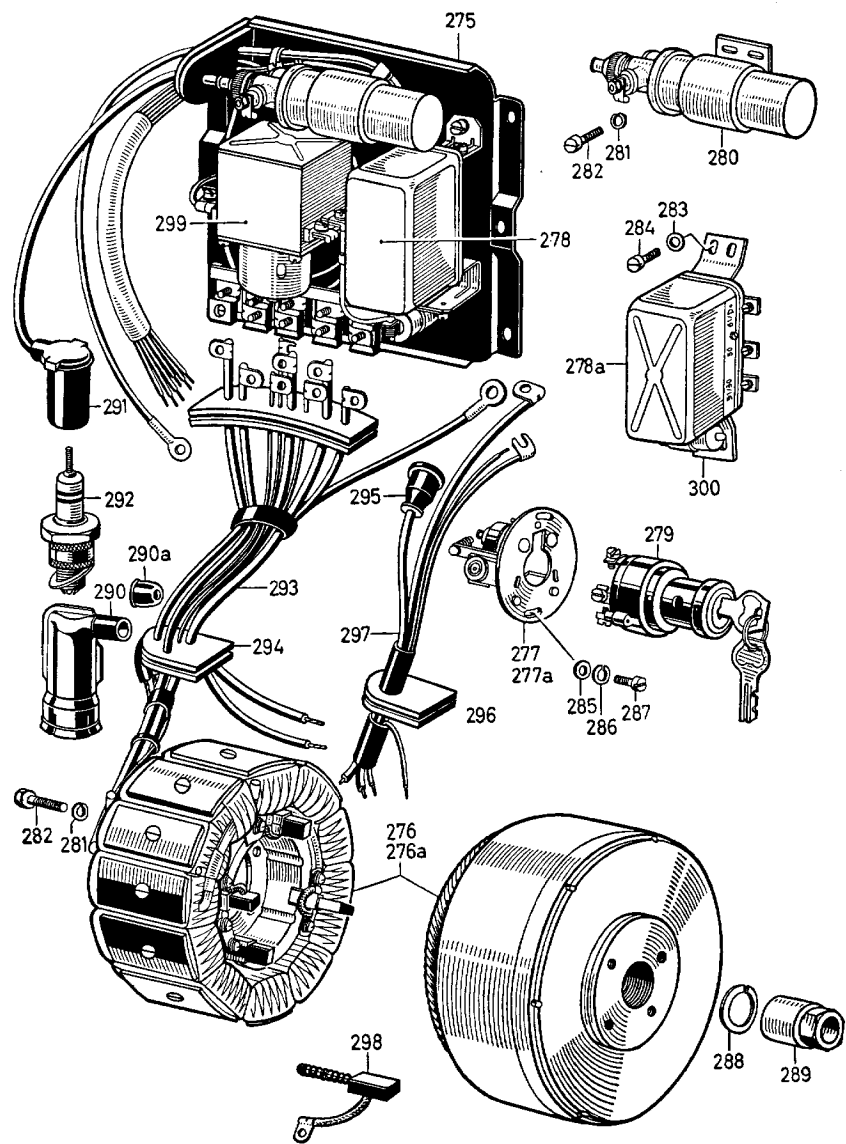


PLATE 8

Combined starting, ignition and lighting system

Illustr. No.	Part No.	Designation	Number	Weight per item
275	0686 108 000	Control box assembly (SH/SE 37/1)	1	
276	0686 140 000	Combined starting, ignition and lighting system (Siba)	1	7500
		consisting of: 1 x 09 0687 013 000 Magneto system 1 x 09 0686 072 002 Armature		
	0686 106 000	For crankshaft 25 mm, taper 1 : 10, for two directions of rotation Combined starting, ignition and lighting system (Bosch LA/DAQ 90/12/1700 - 0,2 LR 4)	1	7500
		consisting of: 1 x 09 0686 122 000 Magneto system 1 x 09 0686 153 000 Armature		
		Can be supplied under No. 0686 106 000 only; for crankshaft 25 mm, taper 1 : 7,5, for two directions of rotation (from engine No. 2938 072 onwards)		
276 a	0686 118 000	Combined starting, ignition and lighting system (Siba)	1	7050
		consisting of: 1 x 09 0686 073 003 Magneto system 1 x 09 0686 072 002 Armature		
		For crankshaft 25 mm, taper 1 : 10, for one direction of rotation		
	0686 141 000	Combined starting, ignition and lighting system (Bosch, LA/DAQ/90/12/1700 + 0,2 L 1)	1	7050
		consisting of: 1 x 09 0686 143 000 Magneto system 1 x 09 0686 146 000 Armature		
		Can be supplied under No. 0686 141 000 only; for crankshaft 25 mm, taper 1 : 7,5 for one direction of rotation only (from engine No. 2938 072 onwards)		
277	09 0686 107 000	Contact breaker plate assembly (ZV/U 1 LR 15), for two directions of rotation	1	77
277 a	09 0686 119 000	Contact breaker plate assembly (ZV/U 1/16) for one direction of rotation	1	
278	09 0686 124 000	Regulator cut-out (RS/ZD 60 - 90 12/6), for two directions of rotation	1	
278 a	09 0686 120 000	Regulator cut-out (RS/ZD 60 - 90 12/7), for one direction of rotation	1	
279	0686 109 000	Ignition and starting switch assembly (Sa/F/ZAS 2/1)	1	

Use only Genuine F & S Spare Parts

Combined starting, ignition and lighting system

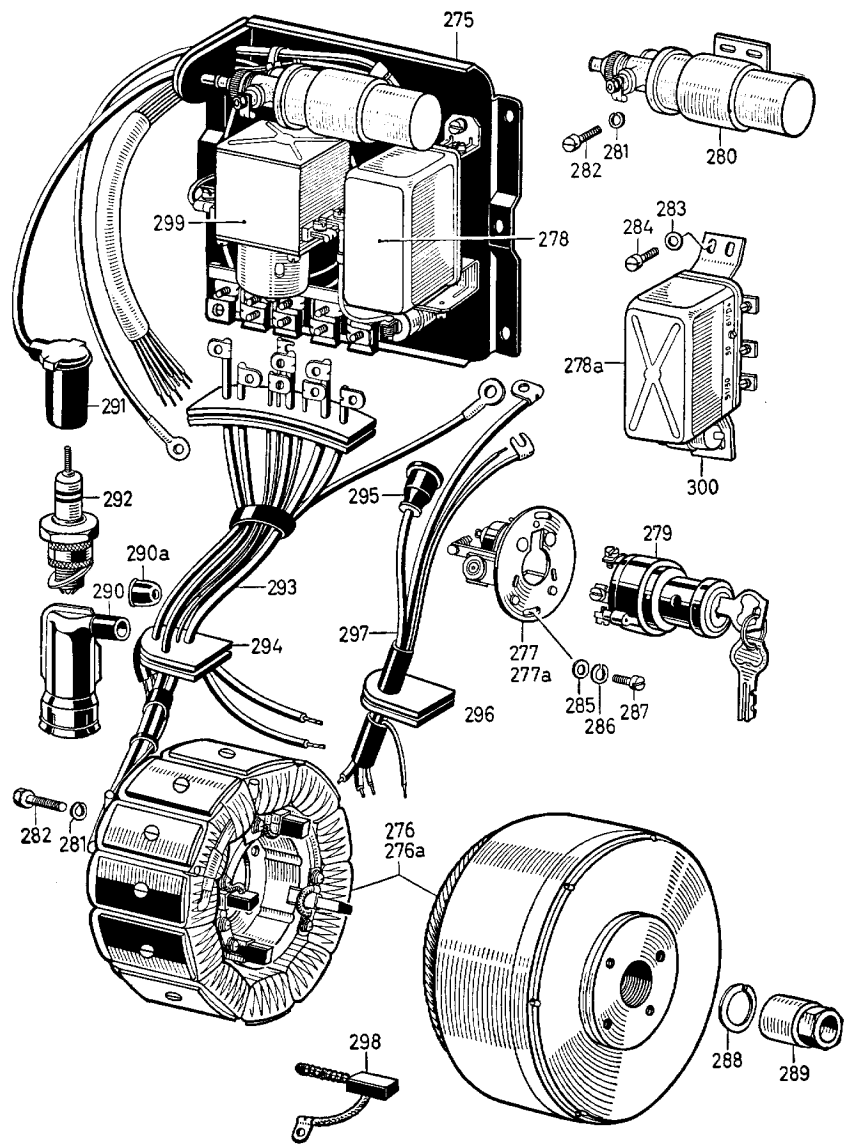


FIG 368.9

PLATE 8

Combined starting, ignition and lighting system

Illustr. No.	Part No.	Designation	Number	Weight per item
280	0686 121 000	Ignition coil with clip TJ 12 (3/4)	1	
		Ignition coil with condenser (model: Messerschmitt)		
281	0245 023 002	Spring washer for metric 6	6	0
282	0240 059 000	Cheese head screw, metric 6 x 18	6	5
283	0244 054 002	Washer	4	0
284	0240 056 003	Cheese head screw, metric 5 x 12	4	3
285	0644 031 000	Washer	2	0
286	0245 023 000	Lock washer for metric 4	2	0
287	0241 021 000	Cheese head screw, metric 4	2	0
288	0245 023 008	Spring washer for metric 16	1	7
289	0642 010 001	Flanged nut, metric 16 x 1,5	1	90
290	0265 101 000	Spark plug connector, partly screened	1	42
290 a	0265 109 011	Rain protecting cover	1	1
291	0288 091 000	Spark plug connector	1	19
292	0699 011 002	Spark plug M 225 P 11 S	1	90
293	09 0687 027 005	Wiring harness for two directions of rotation		
294	09 0660 012 000	Seven-pole cable sleeve		
295	09 0660 007 000	Protective cap	1	3
296	09 0660 013 000	Four-pole cable sleeve	1	7
297	09 0687 027 000	Four-pole wiring harness for one direction of rotation	1	
298	09 0686 147 000	Carbon brush assembly with spring, for one and two directions of rotation (from engine No. 2938 072 onwards)	4	
	09 0686 076 008	Set of carbon brushes (Siba) for two directions of rotation	1	
	09 0686 075 008	Set of carbon brushes (Siba) for one direction of rotation	1	
299	09 0686 125 000	Protector for change-over switch SH/SM 22 L 1 Z	1	
300	09 0665 116 000	Condenser, for one direction of rotation	1	30
	09 0686 156 000	Condenser, for two directions of rotation	1	
	09 0686 078 000	Condenser (Siba)	1	
	09 0686 148 000	Contact lever (Bosch)		
	09 0686 150 000	Contact carrier-forward (Bosch)		
	09 0686 151 000	Contact carrier-reverse (Bosch)		

Refuse to Accept Non-genuine Spares

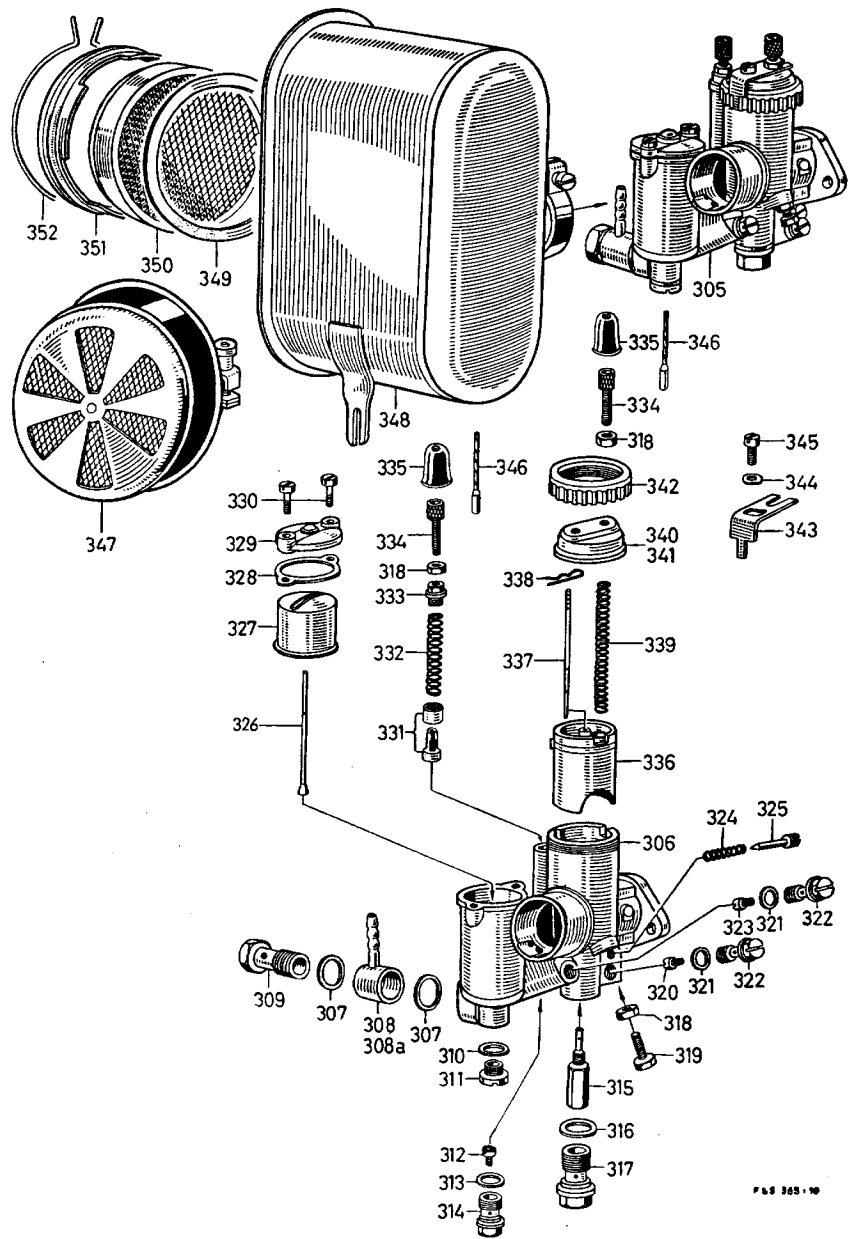


PLATE 9

Illustr. No.	Part No.	Designation	Number	Weight per item
305	09 0687 036 004	Carburettor assembly with control cable, mounting bracket, with banjo fitting dia. 8 mm, model Messerschmitt	1	970
	09 0687 036 009	Carburettor assembly with control cable, mounting bracket, with banjo fitting dia. 6 mm, model for scooter and 3-wheeler	1	970
		Carburettor assembly with control cable, model for motor-cycle		
306	09 0661 015 005	Carburettor body	1	713
307	09 0661 012 000	Sealing ring for banjo fitting	2	0
308	09 0661 010 000	Banjo fitting, dia. 6 mm	1	10
308 a	09 0661 016 000	Banjo fitting, dia. 8 mm	1	10
309	09 0661 008 000	Banjo plug	1	29
310	09 0261 021 000	Washer	1	0
311	09 0661 006 000	Screw plug	1	5
312	09 0661 014 000	Starting jet, size 90	1	0
313	09 0661 011 000	Sealing ring	1	0
314	09 0661 009 000	Holder for starting jet	1	6
315	09 0668 002 000	Needle jet, size 1608	1	10
316	09 0969 038 005	Sealing ring	1	0
317	09 0961 087 000	Screw plug	1	7
318	09 0961 018 001	Nut, metric 6	3	5
319	09 0961 035 000	Throttle slide stop screw	1	4
320	09 0668 001 005	Main jet, size 120	1	0
321	09 0950 052 005	Sealing ring	2	0
322	09 0968 099 005	Holder for main jet and idler jet	2	10
323	09 0668 003 000	Idler jet, size 35	1	0
324	09 0939 058 005	Spring for air control screw	1	0
325	09 0961 024 005	Air control screw	1	2
326	09 0661 003 000	Float needle	1	3
327	09 0968 098 001	Float	1	6
328	0650 031 000	Gasket for carburettor cover	1	0
329	09 0661 002 000	Float chamber cover	1	10
330	0241 015 000	Securing screw, metric 5	2	2
331	09 0686 100 000	Starting plunger assembly	1	3
332	09 0661 005 000	Compression spring	2	2
333	09 0661 007 000	Screw plug	1	2
334	09 0961 081 000	Adjusting screw	2	2
335	0260 024 000	Cover cap	2	3
336	09 0968 091 008	Throttle slide	1	45
337	09 0961 078 008	Jet needle	1	2
338	09 0961 089 000	Clip	1	0

Use only Genuine F & S Spare Parts

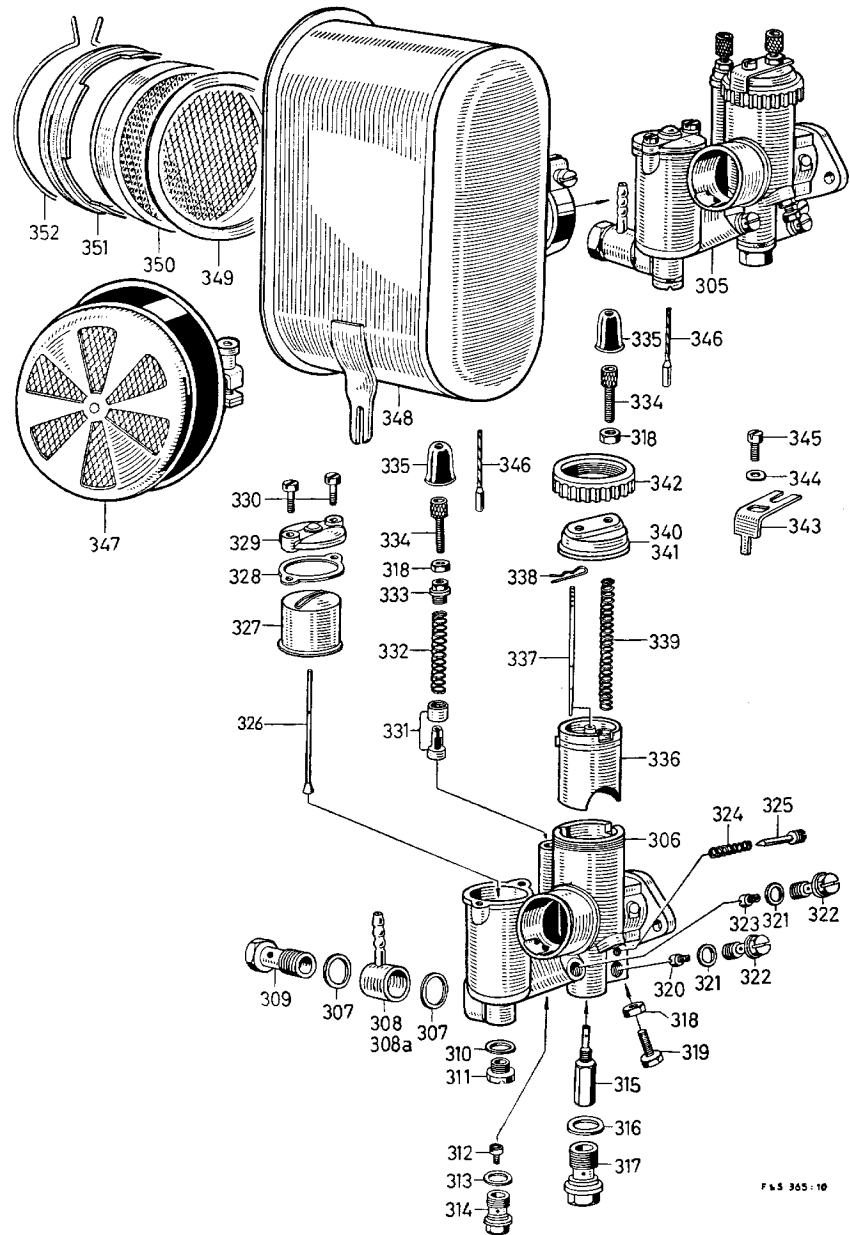


PLATE 9

Illustr. No.	Part No.	Designation	Number	Weight in per item
339	09 0961 079 005	Spring for throttle slide . . . . .	1	2,5
340	09 0961 074 005	Cover plate with 1 hole . . . . .	1	22
341	09 0961 074 008	Cover plate with 2 holes . . . . .	1	20
342	09 0969 004 005	Rim nut . . . . .	1	17
343	0644 050 000	Mounting bracket . . . . .	1	5
344	0644 012 000	Lock washer . . . . .	2	1
345	0640 036 000	Cheese head screw . . . . .	1	5
346	0299 041 008	Control cable for throttle and starting control (state length required) . . . . .	2	34
347	0687 043 000	Air cleaner, model Sarolea . . . . .	1	370
348	0686 094 000	Intake silencer assembly, model Messerschmitt, Fulda . . . . .	1	455
	0686 096 000	Intake silencer assembly, models AZL and KL (Hercules and Mars) . . . . .		
	0686 097 000	Intake silencer assembly . . . . .	1	455
349	09 0650 100 000	Gasket . . . . .	1	
350	09 0686 105 000	Filter cartridge assembly . . . . .	1	
351	09 0644 100 000	Cap . . . . .	1	
352	09 0645 100 000	Spring clip . . . . .	1	

Refuse to Accept Non-genuine Spares

Fan Housing

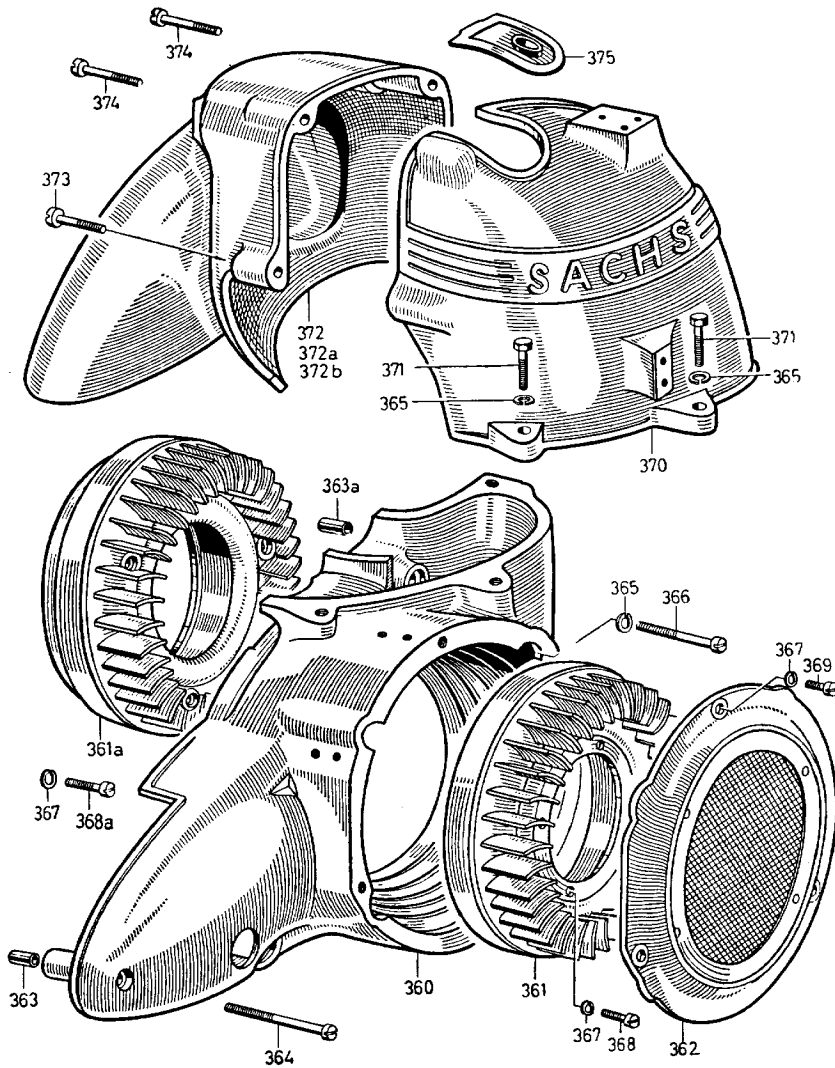
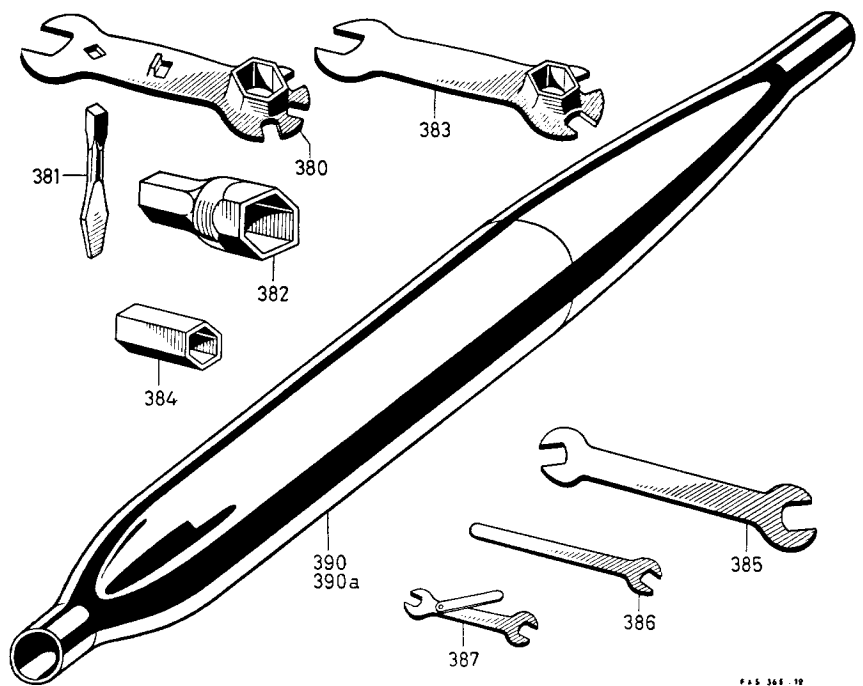


PLATE 10

Fan Housing

Illustr. No.	Part No.	Designation	Number	Weight per item
360	09 0687 011 005	Fan housing assembly, models KL and AZL-R (standard)	1	1800
	09 0687 011 001	Fan housing assembly, model AZL-R Messerschmitt, BAW, Fulda	1	
	09 0687 011 008	Fan housing assembly, model AZL Hercules, Mars	1	
	09 0687 011 006	Fan housing assembly, models KL and AZL-Progress	1	
	0687 034 000	Rubber bearing, model: Progress	1	
361	0611 041 000	Fan, AZL model	1	505
361 a	0611 033 000	Fan, KL model	1	
362	0687 010 000	Cover with screen	1	300
363	0929 009 000	Dowel tube	1	3
363 a	0949 081 000	Dowel tube	1	
364	0640 003 000	Cheese head screw, metric 6 x 55	1	12
365	0245 023 003	Spring washer for metric 8	6	1,
366	0640 028 000	Cheese head screw, metric 8 x 50	3	25
367	0245 023 002	Spring washer for metric 6	7	0,
368	0941 057 000	Cheese head screw, metric 6 x 10, for item 361	4	4,
368 a	0940 091 000	Cheese head screw, metric 6 x 35, for item 361 a	3	5
369	0941 057 007	Cheese head screw, metric 6 x 12	3	5
370	0611 046 000	Top cover for fan housing	1	975
371	0240 078 000	Hexagon screw, metric 8 x 30, for fan cowling	3	18
372	0611 043 000	Air deflector hood, models KL and AZL	1	1065
372 a	0611 043 005	Air deflector hood, model Hercules, Mars	1	
372 b	0611 057 005	Air deflector hood, model BAW	1	
373	0941 077 001	Cheese head screw, metric 8 x 30	2	16
374	0640 013 000	Cheese head screw, metric 8 x 45	2	21
375	0660 014 000	Plug (synthetic rubber)	1	12

Use only Genuine F & S Spare Parts



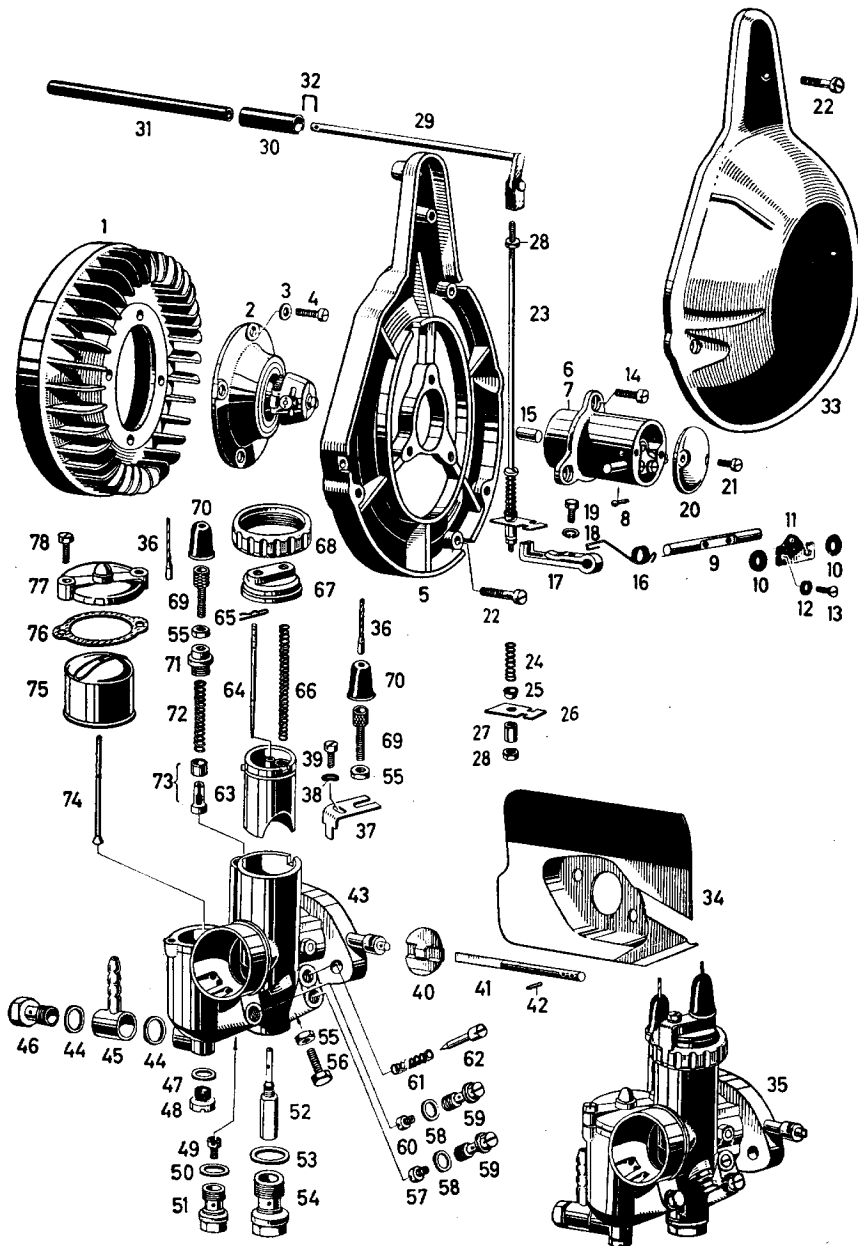
P. 6 388 - 12

PLATE 11

Illustr. No.	Part No.	Designation	Number	Weight per item
380	0276 074 001	Double-ended spanner 21 mm hex.; 8 mm square; 8, 9, 10 and 17 mm widths . . .	1	118
381	0676 009 000	Screwdriver . . . . .	1	35
382	0276 075 001	Spark plug spanner 26 mm hex. . . . .	1	74
383	0276 072 000	Double-ended spanner 17 mm hex.; 9, 14 and 19 mm widths . . . . .	1	118
384	0276 073 000	Hex. box spanner 14 x 17 mm . . . . .	1	22
385	0676 007 000	Double-ended spanner 11 and 14 mm widths . . . . .	1	68
386	0676 006 000	Spanner 9 mm width . . . . .	1	20
387	0977 017 000	Magneto and jet spanner . . . . .	1	7
	0676 008 000	Tool kit consisting of items 380 - 387 . . . . .		
390	0673 006 002	Silencer (chrome-plated) . . . . .	1	2620
390a	0673 006 000	Silencer (unplated) . . . . .	1	2620

Refuse to Accept Non-genuine Spares

Governor, Butterfly Valve Carburettor

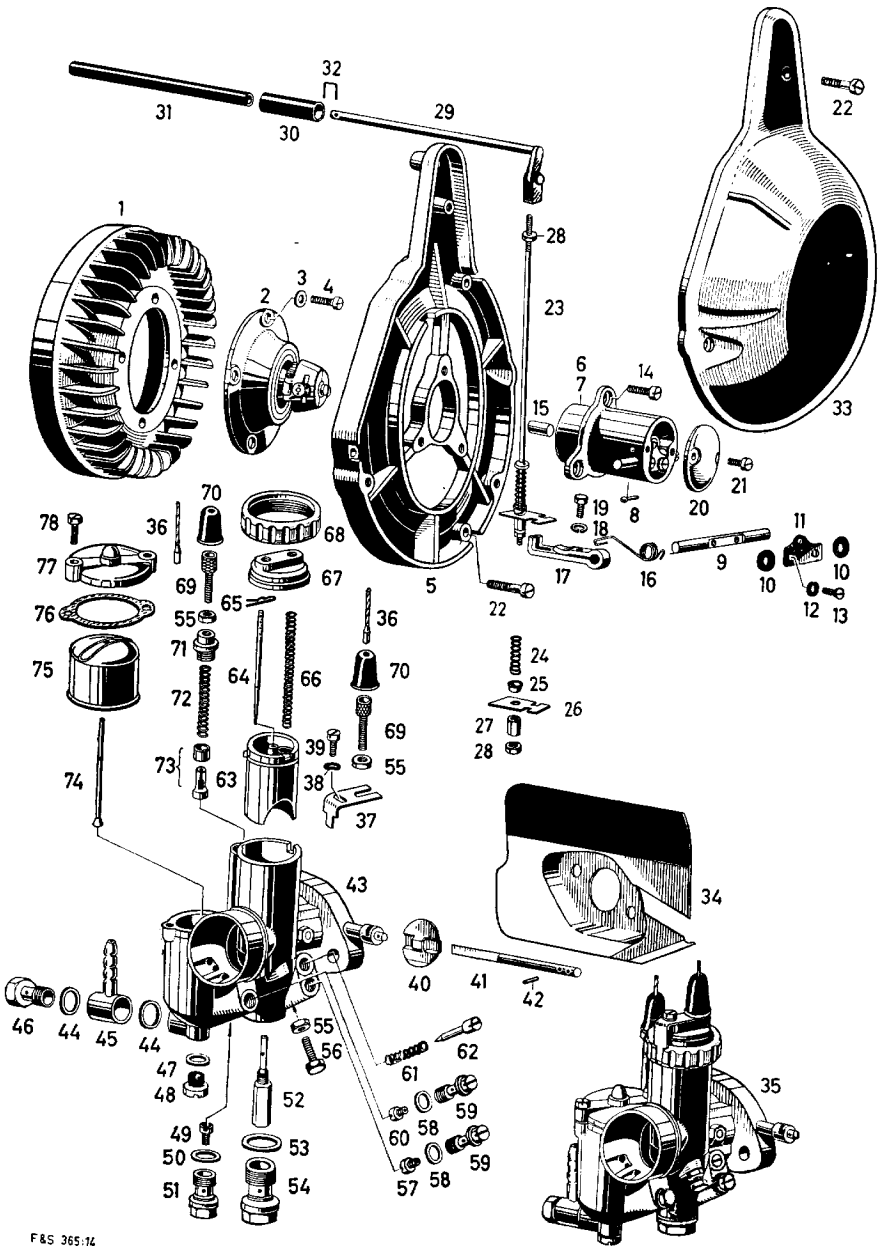


F & S 365:14

PLATE 12

Illustr. No.	Part No.	Designation	Number	Weight per item
1	0611 041 005	Fan . . . . .	1	420
2	0686 174 000	Governor assembly, with hub . . . . .	1	150
3	0245 023 002	Spring washer for metric 6 . . . . .	4	0
4	0240 059 000	Cheese head screw metric 6 x 18 . . . . .	4	4
5	0611 105 000	Intermediate unit . . . . .	1	418
6	0686 175 000	Governor housing assembly . . . . .	1	142
7	0654 102 000	Governor housing . . . . .	1	112
8	0249 045 000	Grooved dowel . . . . .	1	0
9	0937 027 000	Governor spindle . . . . .	1	23
10	0944 003 001	Washer . . . . .	2	0
11	0946 027 000	Thrust plate . . . . .	1	1
12	0245 023 000	Spring washer for metric 4 . . . . .	2	0
13	0941 000 000	Oval head screw metric 4 x 8 . . . . .	2	2
14	0240 076 000	Cheese head screw metric 5 x 15 . . . . .	3	1
15	0949 084 000	Thrust pin . . . . .	1	7
16	0939 094 000	Governor spring . . . . .	1	0
17	0948 038 000	Governor lever . . . . .	1	18
18	0245 023 001	Spring washer for metric 5 . . . . .	1	1
19	0941 087 000	Hexagon head screw metric 5 x 10 . . . . .	1	1
20	0654 101 000	End cover . . . . .	1	13
21	0240 056 002	Cheese head screw metric 5 x 12 . . . . .	2	3
22	0640 001 000	Cheese head screw metric 6 x 23 . . . . .	6	1
23	0686 169 000	Governor linkage . . . . .	1	1
24	0939 008 000	Compression spring . . . . .	1	1
25	0954 039 001	Spring retainer . . . . .	1	1
26	0954 055 000	Guide plate . . . . .	1	1
27	0942 014 000	Nut with spherical head . . . . .	1	1
28	0942 017 002	Nut . . . . .	2	1
29	0686 176 000	Fork head with throttle control rod . . . . .	1	1
30	0660 102 000	Protective sleeve . . . . .	1	2
31	0651 100 000	Protective tube . . . . .	1	1
32	0649 100 000	Connector . . . . .	1	32
33	0611 104 000	Cover . . . . .	1	4
34	0670 015 005	Screen . . . . .	1	1
35	09 0687 036 016	Carburettor assembly 1/24/119, with butterfly valve, mounting bracket and two control cables . . . . .	1	95
36	0299 041 008	Control cable with solder tag 0299 002 002 . . . . .	2	1
37	0644 050 000	Mounting bracket . . . . .	1	2
38	0644 012 000	Lock washer . . . . .	2	1

Use only Genuine F & S Spare Parts



F&S 365.74

PLATE 12

Illustr. No.	Part No.	Designation	Number	Weight in g per item
39	0640 036 000	Cheese head screw	1	5
40	0646 100 000	Butterfly valve	1	
41	0637 100 000	Valve pin	1	
42	0649 101 000	Grooved cylindrical pin	1	
43	09 0661 102 000	Carburettor body (state the model or type)	1	
44	09 0661 012 000	Sealing ring	2	0,1
45	09 0661 010 000	Banjo connector	1	10
46	09 0661 008 000	Banjo plug	1	29
47	09 0261 021 000	Sealing ring	1	0,1
48	09 0661 006 000	Screw plug	1	5
49	09 0661 014 000	Starting jet, size 90	1	0,5
50	09 0661 011 000	Sealing ring	1	0,1
51	09 0661 009 000	Jet holder	1	6
52	09 0668 002 010	Needle jet, size 1508	1	10
53	09 0969 038 005	Sealing ring	1	0,2
54	09 0961 087 000	Screw plug	1	7
55	09 0961 018 001	Nut metric 6	3	5
56	09 0961 035 000	Stop screw	1	4
57	0668 001 010	Main jet, size 110	1	0,5
58	09 0950 052 005	Sealing ring	2	0,2
59	09 0968 099 005	Jet holder	2	10
60	09 0668 003 002	Slow-running jet, size 80	1	0,5
61	09 0939 058 005	Spring	1	0,5
62	09 0961 024 005	Air regulating screw	1	2
63	09 0968 091 008	Throttle slide	1	45
64	09 0961 078 008	Jet needle	1	2
65	09 0961 089 000	Spring clip	1	0,2
66	09 0961 079 005	Spring for throttle slide	1	2,5
67	09 0961 074 008	Cap plate	1	20
68	09 0961 027 005	Rim nut	1	17
69	09 0961 081 000	Adjusting screw	2	2
70	0260 024 001	Protective cap	2	3
71	09 0661 007 000	Screw plug	1	2,5
72	09 0661 005 000	Compression spring	1	2,5
73	09 0686 100 000	Starting plunger assembly	1	3
74	09 0661 003 000	Float needle	1	3
75	09 0968 098 001	Float	1	6
76	09 0650 031 000	Sealing ring	1	0,2
77	09 0661 002 000	Float chamber cover	1	10
78	0241 015 000	Screw metric 5	2	2

Refuse to Accept Non-genuine Spares